

## YX3 Series High Efficiency Three Phase Induction Motors

### ➤ General Description



- Frame sizes: 80 to 355      Rated output: 0.18 to 375kW
- Voltage: 380V                      Frequency: 50Hz or 60Hz
- Poles: 2, 4, 6, 8, 10, 12      Efficiency levels: IE2
- Duty Cycle: S1                      Enclosure: IC411 - TEFC
- Insulation class: F                  Degree of protection: IP56 / IP65

**Applications:** Can be applied for the machines where continuous duty is required, like pumps, fans, machine etc.

**Features:** Beautiful profile, high efficiency and energy saving, class F insulation, IP55 protection grade, low noise, little vibration, reliable running.

### ➤ Performance Data

**380V    50Hz**

Model	Output kW	FLA	RPM	Eff.%	Power Factor	FLT N.m	$\frac{LRT}{FLT} \frac{Tst}{T_N}$	$\frac{LRA}{FLA} \frac{Ist}{I_N}$	$\frac{BDT}{FLT} \frac{Tmax}{T_N}$	dB(A)
Synchronous speed						3000 r/min				
YX3-80M1-2	0.75	1.8	2855	77.4	0.82	2.51	2.2	7.0	2.3	62
YX3-80M2-2	1.1	2.5	2870	79.6	0.83	3.66	2.2	7.3	2.3	62
YX3-90S-2	1.5	3.3	2865	81.3	0.84	5.00	2.2	7.6	2.3	67
YX3-90L-2	2.2	4.7	2870	83.2	0.85	7.32	2.2	7.6	2.3	67
YX3-100L-2	3	6.2	2875	84.6	0.87	9.97	2.2	7.8	2.3	74
YX3-112M-2	4	8.0	2910	85.8	0.88	13.1	2.2	8.3	2.3	77
YX3-132S1-2	5.5	10.9	2935	87.0	0.88	17.9	2.0	8.3	2.3	79
YX3-132S2-2	7.5	14.5	2930	88.1	0.89	24.4	2.0	7.9	2.3	79
YX3-160M1-2	11	21.0	2950	89.4	0.89	35.6	2.0	8.1	2.3	81
YX3-160M2-2	15	28.4	2945	90.3	0.89	48.6	2.0	8.1	2.3	81
YX3-160L-2	18.5	34.7	2945	90.9	0.89	60.0	2.0	8.2	2.3	81
YX3-180M-2	22	41.1	2950	91.3	0.89	71.2	2.0	8.2	2.3	83
YX3-200L1-2	30	55.7	2960	92.0	0.89	96.8	2.0	7.6	2.3	84
YX3-200L2-2	37	68.3	2960	92.5	0.89	119	2.0	7.6	2.3	84
YX3-225M-2	45	82.7	2965	92.9	0.89	145	2.0	7.7	2.3	86
YX3-250M-2	55	101	2970	93.2	0.89	177	2.0	7.7	2.3	89
YX3-280S-2	75	137	2975	93.8	0.89	241	1.8	7.1	2.3	91
YX3-280M-2	90	163	2970	94.1	0.89	289	1.8	7.1	2.3	91

Performance Data

**380V    50Hz**

Model	Output kW	FLA	RPM	Eff.%	Power Factor	FLT N.m	$\frac{LRT}{FLT} \frac{Tst}{T_N}$	$\frac{LRA}{FLA} \frac{Ist}{I_N}$	$\frac{BDT}{FLT} \frac{Tmax}{T_N}$	dB(A)
Synchronous speed 3000 r/min										
YX3-315S-2	110	197	2975	94.3	0.90	353	1.8	7.1	2.3	92
YX3-315M-2	132	236	2975	94.6	0.90	424	1.8	7.1	2.3	92
YX3-315L1-2	160	282	2975	94.8	0.91	514	1.8	7.2	2.3	92
YX3-315L-2	185	325	2975	94.9	0.91	594	1.8	7.2	2.3	92
YX3-315L2-2	200	352	2975	95.0	0.91	642	1.8	7.2	2.2	92
YX3-315L3-2	220	387	2975	95.0	0.91	706	1.8	7.2	2.2	92
YX3-355M1-2	220	387	2980	95.0	0.91	705	1.8	7.2	2.2	100
YX3-355M-2	250	439	2980	95.0	0.91	801	1.6	7.2	2.2	100
YX3-355L1-2	280	492	2980	95.0	0.91	897	1.6	7.2	2.2	100
YX3-355L-2	315	554	2980	95.0	0.91	1009	1.6	7.2	2.2	100
YX3-355L2-2	355	624	2980	95.0	0.91	1138	1.6	7.2	2.2	104
YX3-355L3-2	375	659	2980	95.0	0.91	1202	1.6	7.2	2.2	104
Synchronous speed 1500 r/min										
YX3-80M1-4	0.55	1.4	1430	79.0	0.75	3.67	2.3	6.0	2.3	56
YX3-80M2-4	0.75	1.9	1425	79.6	0.76	5.03	2.3	6.6	2.3	56
YX3-90S-4	1.1	2.7	1420	81.4	0.77	7.40	2.3	6.8	2.3	59
YX3-90L-4	1.5	3.5	1420	82.8	0.78	10.1	2.3	7.0	2.3	59
YX3-100L1-4	2.2	5.0	1430	84.3	0.80	14.7	2.3	7.6	2.3	64
YX3-100L2-4	3	6.6	1430	85.5	0.81	20.0	2.3	7.6	2.3	64
YX3-112M-4	4	8.7	1450	86.6	0.81	26.3	2.2	7.8	2.3	65
YX3-132S-4	5.5	11.6	1465	87.7	0.82	35.9	2.0	7.9	2.3	71
YX3-132M-4	7.5	15.5	1465	88.7	0.83	48.9	2.0	7.5	2.3	71
YX3-160M-4	11	22.4	1470	89.8	0.83	71.5	2.0	7.7	2.3	73
YX3-160L-4	15	29.9	1470	90.6	0.84	97.4	2.0	7.8	2.3	73
YX3-180M-4	18.5	36.3	1470	91.2	0.85	120	2.0	7.8	2.3	76
YX3-180L-4	22	42.9	1465	91.6	0.85	143	2.0	7.8	2.3	76
YX3-200L-4	30	58.1	1475	92.3	0.85	194	2.0	7.3	2.3	76
YX3-225S-4	37	70.5	1480	92.7	0.86	239	2.0	7.4	2.3	78
YX3-225M-4	45	85.4	1480	93.1	0.86	290	2.0	7.4	2.3	78
YX3-250M-4	55	104	1485	93.5	0.86	354	2.0	7.4	2.3	79
YX3-280S-4	75	139	1490	94.0	0.87	481	2.0	6.9	2.3	80
YX3-280M-4	90	165	1485	94.2	0.88	579	2.0	6.9	2.3	80
YX3-315S-4	110	199	1485	94.5	0.89	707	2.0	7.0	2.2	88
YX3-315M-4	132	238	1485	94.7	0.89	849	2.0	7.0	2.2	88

Performance Data

380V 50Hz

Model	Output kW	FLA	RPM	Eff.%	Power Factor	FLT N.m	$\frac{LRT}{FLT} \frac{Tst}{T_N}$	$\frac{LRA}{FLA} \frac{Ist}{I_N}$	$\frac{BDT}{FLT} \frac{Tmax}{T_N}$	dB(A)
Synchronous speed 1500 r/min										
YX3-315L1-4	160	285	1485	94.9	0.90	1029	2.0	7.1	2.2	88
YX3-315L-4	185	329	1485	95.0	0.90	1190	2.0	7.1	2.2	88
YX3-315L2-4	200	355	1485	95.1	0.90	1286	2.0	7.1	2.2	88
YX3-315L3-4	220	391	1485	95.1	0.90	1415	2.0	7.1	2.2	88
YX3-355M1-4	220	391	1490	95.1	0.90	1410	2.0	7.1	2.2	95
YX3-355M-4	250	444	1490	95.1	0.90	1602	2.0	7.1	2.2	95
YX3-355L1-4	280	497	1490	95.1	0.90	1795	2.0	7.1	2.2	95
YX3-355L-4	315	559	1490	95.1	0.90	2019	2.0	7.1	2.2	95
YX3-355L2-4	355	645	1490	95.1	0.88	2275	1.7	7.0	2.2	102
YX3-355L3-4	375	681	1490	95.1	0.88	2404	1.7	7.0	2.2	102
Synchronous speed 1000 r/min										
YX3-80M1-6	0.37	1.2	910	67.0	0.70	3.88	1.9	5.5	2.0	54
YX3-80M2-6	0.55	1.7	910	70.0	0.71	5.77	1.9	5.5	2.1	54
YX3-90S-6	0.75	2.1	935	75.9	0.71	7.66	2.0	6.0	2.1	57
YX3-90L-6	1.1	3.0	935	78.1	0.72	11.2	2.0	6.0	2.1	57
YX3-100L-6	1.5	4.0	945	79.8	0.72	15.2	2.0	6.5	2.1	61
YX3-112M-6	2.2	5.7	965	81.8	0.72	21.8	2.0	6.6	2.1	65
YX3-132S-6	3	7.6	975	83.3	0.72	29.4	1.9	6.8	2.1	69
YX3-132M1-6	4	9.7	975	84.6	0.74	39.2	1.9	6.8	2.1	69
YX3-132M2-6	5.5	13.0	975	86.0	0.75	53.9	1.9	7.0	2.1	69
YX3-160M-6	7.5	16.8	975	87.2	0.78	73.5	2.0	7.0	2.1	70
YX3-160L-6	11	23.9	975	88.7	0.79	108	2.0	7.2	2.1	70
YX3-180L-6	15	31.8	980	89.7	0.80	146	1.9	7.3	2.1	73
YX3-200L1-6	18.5	38.9	980	90.4	0.80	180	1.9	7.3	2.1	73
YX3-200L2-6	22	45.4	980	90.9	0.81	214	1.9	7.4	2.1	73
YX3-225M-6	30	60.6	985	91.7	0.82	291	1.9	6.9	2.1	74
YX3-250M-6	37	73.5	985	92.2	0.83	359	1.9	7.1	2.1	76
YX3-280S-6	45	86.8	990	92.7	0.85	434	1.9	7.3	2.0	78
YX3-280M-6	55	104	990	93.1	0.86	531	1.9	7.3	2.0	78
YX3-315S-6	75	145	990	93.7	0.84	723	1.9	6.6	2.0	83
YX3-315M-6	90	171	990	94.0	0.85	868	1.9	6.7	2.0	83
YX3-315L1-6	110	209	990	94.3	0.85	1061	1.9	6.7	2.0	83
YX3-315L2-6	132	247	990	94.6	0.86	1273	1.9	6.8	2.0	83
YX3-315L3-6	160	298	990	94.8	0.86	1543	1.9	6.8	2.0	83
YX3-355M1-6	160	298	990	94.8	0.86	1543	1.9	6.8	2.0	85
YX3-355M-6	185	344	990	94.9	0.86	1785	1.9	6.8	2.0	85

Performance Data

380V 50Hz

Model	Output kW	FLA	RPM	Eff.%	Power Factor	FLT N.m	$\frac{LRT}{FLT} \frac{Tst}{T_N}$	$\frac{LRA}{FLA} \frac{Ist}{I_N}$	$\frac{BDT}{FLT} \frac{Tmax}{T_N}$	dB(A)
Synchronous speed 1000 r/min										
YX3-355M2-6	200	372	990	95.0	0.86	1929	1.9	6.8	2.0	85
YX3-355L1-6	220	409	990	95.0	0.86	2122	1.9	6.8	2.0	85
YX3-355L-6	250	465	990	95.0	0.86	2412	1.9	6.8	2.0	85
YX3-355L2-6	280	521	990	95.0	0.86	2701	1.9	6.8	2.0	91
YX3-355L3-6	315	586	995	95.0	0.86	3023	1.9	6.8	2.0	91
Synchronous speed 750 r/min										
YX3-80M1-8	0.18	0.8	700	52.8	0.61	2.46	1.8	3.3	1.9	52
YX3-80M2-8	0.25	1.1	700	57.0	0.61	3.41	1.8	3.3	1.9	52
YX3-90S-8	0.37	1.4	695	64.0	0.62	5.08	1.8	4.0	1.9	56
YX3-90L-8	0.55	2.0	695	67.5	0.63	7.56	1.8	4.0	2.0	56
YX3-100L1-8	0.75	2.3	705	71.5	0.68	10.2	1.8	4.0	2.0	59
YX3-100L2-8	1.1	3.3	705	74.5	0.69	14.9	1.8	4.0	2.0	59
YX3-112M-8	1.5	4.4	715	75.4	0.69	20.0	1.8	4.0	2.0	61
YX3-132S-8	2.2	6.0	730	78.2	0.71	28.8	1.8	5.5	2.2	64
YX3-132M-8	3	7.7	730	80.6	0.73	39.2	1.8	5.5	2.2	64
YX3-160M1-8	4	10.1	725	82.7	0.73	52.7	1.9	6.0	2.2	68
YX3-160M2-8	5.5	13.4	725	84.3	0.74	72.4	1.9	6.0	2.2	68
YX3-160L-8	7.5	17.7	730	85.8	0.75	98.1	1.9	6.0	2.2	68
YX3-180L-8	11	25.0	725	87.8	0.76	145	1.9	6.0	2.2	70
YX3-200L-8	15	33.7	730	89.0	0.76	196	2.0	6.5	2.2	73
YX3-225S-8	18.5	40.0	735	90.2	0.78	240	2.0	6.5	2.2	73
YX3-225M-8	22	47.4	735	90.5	0.78	286	2.0	6.5	2.2	73
YX3-250M-8	30	63.4	735	91.0	0.79	390	1.9	6.5	2.0	75
YX3-280S-8	37	77.8	740	91.5	0.79	478	1.8	6.0	2.0	76
YX3-280M-8	45	93.9	740	92.2	0.79	581	1.8	6.0	2.0	76
YX3-315S-8	55	111	740	93.1	0.81	710	1.8	6.5	2.0	82
YX3-315M-8	75	151	740	93.2	0.81	968	1.8	6.5	2.0	82
YX3-315L1-8	90	181	740	93.2	0.81	1161	1.8	6.5	2.0	82
YX3-315L2-8	110	218	740	93.5	0.82	1420	1.8	6.5	2.0	82
YX3-355M1-8	132	261	745	93.7	0.82	1692	1.8	6.5	2.0	90
YX3-355M2-8	160	314	745	94.3	0.82	2051	1.8	6.5	2.0	90
YX3-355L1-8	185	364	745	94.3	0.82	2371	1.8	6.5	2.0	90
YX3-355L-8	200	392	745	94.5	0.82	2564	1.8	6.5	2.0	90
YX3-355L2-8	220	431	745	94.5	0.82	2820	1.8	6.5	2.0	90
YX3-355L3-8	250	484	745	94.5	0.83	3205	1.8	6.5	2.0	90

### Performance Data

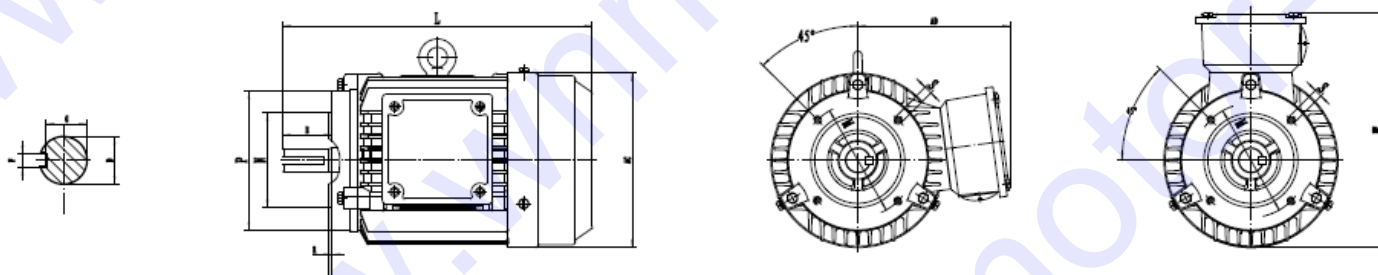
380V 50Hz

Model	Output kW	FLA	RPM	Eff.%	Power Factor	FLT N.m	$\frac{LRT}{FLT} \frac{Tst}{T_N}$	$\frac{LRA}{FLA} \frac{Ist}{I_N}$	$\frac{BDT}{FLT} \frac{Tmax}{T_N}$	dB(A)
Synchronous speed 600 r/min										
YX3-315S-10	45	100	590	91.5	0.75	728	1.5	6.0	2.0	90
YX3-315M-10	55	121	590	92.0	0.75	890	1.5	6.0	2.0	90
YX3-315L1-10	75	162	590	92.5	0.76	1214	1.5	6.0	2.0	90
YX3-315L2-10	90	191	590	93.0	0.77	1457	1.5	6.0	2.0	90
YX3-355M1-10	110	230	595	93.2	0.78	1766	1.3	5.5	2.0	90
YX3-355M2-10	132	275	595	93.6	0.78	2119	1.3	5.5	2.0	90
YX3-355L1-10	160	333	595	93.6	0.78	2568	1.3	5.5	2.0	90
YX3-355L-10	185	385	595	93.6	0.78	2969	1.3	5.5	2.0	90
YX3-355L2-10	200	416	595	93.6	0.78	3210	1.3	5.5	2.0	90
YX3-355L3-10	220	458	595	93.6	0.78	3531	1.3	5.5	2.0	90
Synchronous speed 500 r/min										
YX3-355M1-12	55	126	495	92.0	0.72	1061	1.4	6.0	2.0	90
YX3-355M2-12	75	169	495	92.5	0.73	1447	1.4	6.0	2.0	90
YX3-355L1-12	90	199	495	92.8	0.74	1736	1.3	6.0	2.0	90
YX3-355L-12	110	240	495	93.0	0.75	2122	1.3	6.0	2.0	90
YX3-355L2-12	132	287	495	93.2	0.75	2547	1.3	6.0	2.0	90

### Dimensions & Mounting

mm

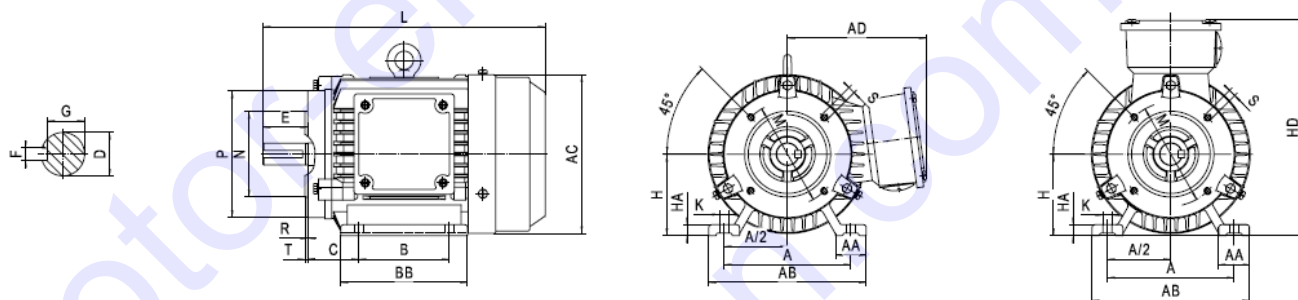
#### B14 (Footless and Small Flange Mounted)



Frame	Poles	Mounting Dimension										Overall Dimension			
		D	E	F	G	M	N	P	R	S	T	AC	AD	HF	L
80M	2,4,6,8	19	40	6	15.5	100	80	120	0	4-M6	3	165	145	225	295
90S	2,4,6,8	24	50	8	20	115	95	140	0	4-M8	3	180	165	255	320
90L	2,4,6,8														345
100L	2,4,6,8	28	60	8	24	130	110	160	0	4-M8	3.5	205	175	275	390
112M	2,4,6,8	28	60	8	24	130	110	160	0	4-M8	3.5	225	190	300	425

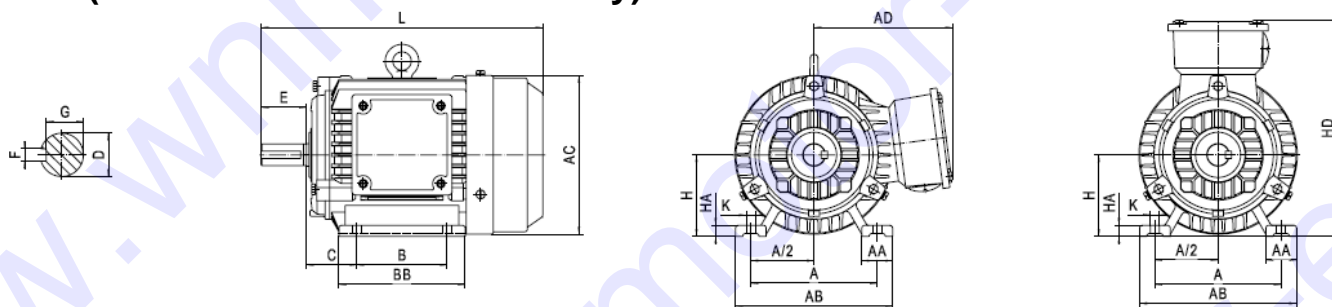


### B34 (Foot and Small Flange Mounted)



Frame	Poles	Mounting Dimension														Overall Dimension								
		A	B	C	D	E	F	G	H	K	M	N	P	R	S	T	AA	BB	HA	AB	AC	AD	HD	L
80M	2,4,6,8	125	100	50	19	40	6	15.5	80	10	100	80	120	0	4-M6	3	32	135	10	160	165	145	225	295
90S	2,4,6,8	140	100	56	24	50	8	20	90	10	115	95	140	0	4-M8	3	34	145	12	180	180	165	255	320
90L	2,4,6,8		125																					170
100L	2,4,6,8	160	140	63	28	60	8	24	100	12	130	110	160	0	4-M8	3.5	39	186	14	200	205	175	275	390
112M	2,4,6,8	190	140	70	28	60	8	24	112	12	130	110	160	0	4-M8	3.5	45	200	14	230	225	190	300	425

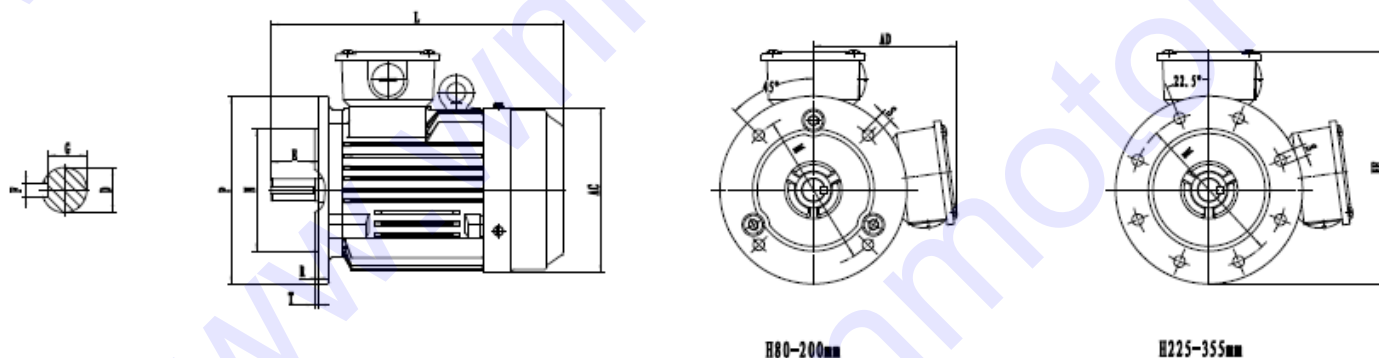
### B3 (Horizontal Foot Mounted Only)



Frame	Poles	Mounting Dimension										Overall Dimension							
		A	B	C	D	E	F	G	H	K	AA	BB	HA	AB	AC	AD	HD	L	
80M	2,4,6,8	125	100	50	19	40	6	15.5	80	10	32	135	10	160	165	145	225	295	
90S	2,4,6,8	140	100	56	24	50	8	20	90	10	34	145	12	180	180	165	255	320	
90L			125															170	345
100L	2,4,6,8	160	140	63	28	60	8	24	100	12	39	186	14	200	205	175	275	390	
112M	2,4,6,8	190	140	70	28	60	8	24	112	12	45	200	14	230	225	190	300	425	
132S	2,4,6,8	216	140	89	38	80	10	33	132	12	55	190	18	265	270	220	350	475	
132M			178															230	510
160M	2,4,6,8	254	210	108	42	110	12	37	160	15	65	260	20	315	320	260	420	610	
160L			254															304	655
180M	2,4,6,8	279	241	121	48	110	14	42.5	180	15	70	311	22	355	360	265	445	680	
180L			279															349	715
200L	2,4,6,8	318	305	133	55	110	16	49	200	19	74	379	26	395	400	305	505	770	

225S	4,8	356	286	149	60	140	18	53	225	19	78	375	28	435	450	325	550	795
225M	2 4, 6, 8		311		55 60	110 140	16 18	49 53				400						800 825
250M	2 4, 6, 8	406	349	168	60 65	140	18	53 58	250	24	80	445	30	490	510	380	630	890
280S	2 4, 6, 8	457	368	190	65	140	18	58	280	24	90	485	35	545	550	395	675	970
280M	2 4, 6, 8		419		75 65 75		20 18 20	67.5 58 67.5				536						1025
315S	2 4,6,8,10	508	406	216	65	140	18	58	315	28	120	570	45	635	630	540	855	1180
315M	2 4,6,8,10		457		80	170	22	71				610						1215
315L	2 4,6,8,10	508	560	254	65	140	18	58	355	28	130	690	52	735	715	645	1000	1245
355M	2 4,6,8,10, 12	508			80	170	22	71										680
355L/L1	2 4,6,8,10, 12	610	630	254	75	140	20	67.5	355	28	130	750	52	735	715	645	1000	1320
355L2L	2 4,6,8,10, 12				560	95	170	25										86
355L2L	3	610	630	254	75	140	20	67.5	355	28	130	750	52	735	715	645	1000	1420
355L2L	3				630	95	170	25										86
355L2L	3	610	630	254	80	170	22	71	355	28	130	750	52	735	715	645	1000	1530
355L2L	3				630	110	210	28										100
355L2L	3	610	630	254	110	210	28	100	355	28	130	750	52	735	715	645	1000	1570

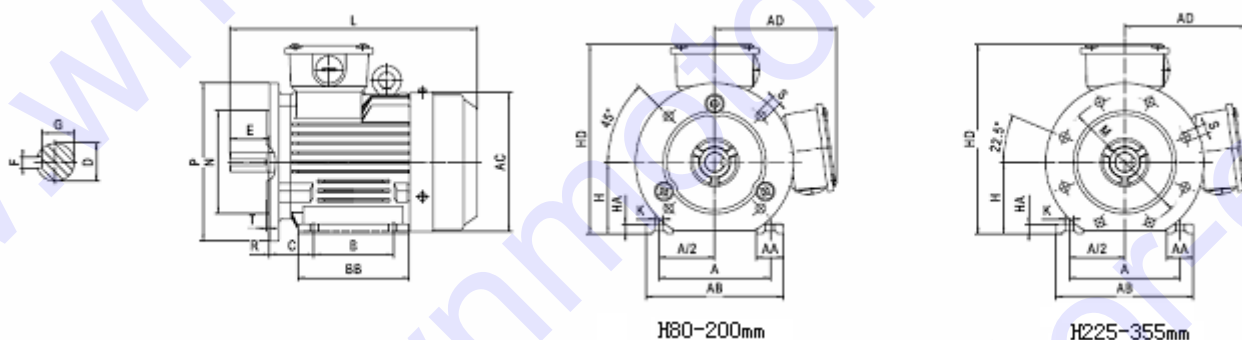
### B5 (Footless and B5 Flange Mounted)



Frame	Poles	Mounting Dimension										Overall Dimension			
		D	E	F	G	M	N	P	R	S	T	AC	AD	HF	L
80M	2,4,6,8	19	40	6	15.5	165	130	200	0	4-Φ12	3.5	165	145	245	295
90S	2,4,6,8	24	50	8	20	165	130	200	0	4-Φ12	3.5	180	165	265	320
90L															345
100L	2,4,6,8	28	60	8	24	215	180	250	0	4-Φ15	4	205	175	300	390
112M	2,4,6,8	28	60	8	24	215	180	250	0	4-Φ15	4	225	190	315	425

132S	2,4,6,8	38	80	10	33	265	230	300	0	4-Φ15	4	270	220	370	475										
132M															510										
160M	2,4,6,8	42	110	12	37	300	250	350	0	4-Φ19	5	320	260	435	610										
160L															655										
180M	2,4,6,8	48	110	14	42.5	300	250	350	0	4-Φ19	5	360	265	440	680										
180L															715										
200L	2,4,6,8	55	110	16	49	350	300	400	0	4-Φ19	5	400	305	505	770										
225S	4,8	60	140	18	53	400	350	450	0	8-Φ19	5	450	325	550	795										
225M	2	55	110	16	49										800										
	4,6,8	60	140	18	53										825										
250M	2	60	140	18	53	500	450	550	0	8-Φ19	5	510	380	655	890										
	4,6,8	65			58																				
280S	2	65	140	18	58	500	450	550	0	8-Φ19	5	550	395	670	975										
	4,6,8	75			67.5																				
280M	2	65			18										58	500	450	550	0	8-Φ19	5	550	395	670	1025
	4,6,8	75																							

### B35 (Foot and B5 Flange Mounted)

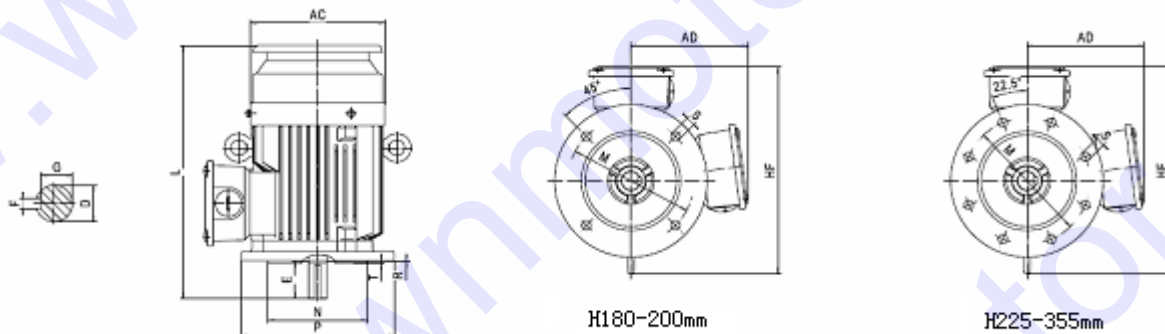


Frame	Poles	Mounting Dimension														Overall Dimension								
		A	B	C	D	E	F	G	H	K	M	N	P	R	S	T	AA	BB	HA	AB	AC	AD	HD	L
80M	2,4,6,8	125	100	50	19	40	6	15.5	80	10	165	130	200	0	4-Φ12	3.5	32	135	10	160	165	145	225	295
90S	2,4,6,8	140	100	56	24	50	8	20	90	10	165	130	200	0	4-Φ12	3.5	34	145	12	180	180	165	255	320
90L			125															170						345
100L	2,4,6,8	160	140	63	28	60	8	24	100	12	215	180	250	0	4-Φ15	4	39	186	14	200	205	175	275	390
112M	2,4,6,8	190	140	70	28	60	8	24	112	12	215	180	250	0	4-Φ15	4	45	200		230	225	190	300	425
132S	2,4,6,8	216	140	89	38	80	10	33	132	12	265	230	300	0	4-Φ15	4	55	190	18	265	270	220	350	475
132M			178															230						510
160M	2,4,6,8	254	210	108	42	110	12	37	160	15	300	250	350	0	4-Φ19	5	65	260	20	315	320	260	420	610
160L			254															304						655
180M	2,4,6,8	279	241	121	48	110	14	42.5	180	15	300	250	350	0	4-Φ19	5	70	311	22	355	360	265	445	680
180L			279															349						715
200L	2,4,6,8	318	305	133	55	110	16	49	200	19	350	300	400	0	4-Φ19	5	74	379	26	395	400	305	505	770



225S	4,8	356	286	149	60	140	18	53	225	19	400	350	450	0	8-Φ19	5	78	375	28	435	450	325	550	795
225M	2	356	311		55	110	16	49	225	19	400	350	450	0	8-Φ19	5	78	400	28	435	450	325	550	800
	4,6,8			60	140	18	53	825																
250M	2	406	349	168	60	140	18	53	250	24	500	450	550	0	8-Φ19	5	80	445	30	490	510	380	630	890
	4,6,8				65			58																
280S	2	457	368	190	65	140	18	58	280	24	500	450	550	0	8-Φ19	5	90	485	35	545	550	395	675	975
	4,6,8				75			20																
280M	2	419	368	190	65	140	18	58	280	24	500	450	550	0	8-Φ19	5	90	536	35	545	550	395	675	1025
	4,6,8				75			20																
315S	2	508	406	216	65	140	18	58	315	28	600	550	660	0	8-Φ24	6	120	570	45	635	630	540	855	1180
	4,6,8,10				80	170	22	71																1215
315M	2	508	457	216	65	140	18	58	315	28	600	550	660	0	8-Φ24	6	120	610	45	635	630	540	855	1245
	4,6,8,10				80	170	22	71																1290
315L	2	508	457	216	65	140	18	58	315	28	600	550	660	0	8-Φ24	6	120	680	45	635	630	540	855	1320
	4,6,8,10				80	170	22	71																1390
355M	2	610	560	254	75	140	20	67.5	355	28	740	680	800	0	8-Φ24	6	130	690	52	735	715	645	1000	1420
	4,6,8,10,12				95	170	25	86																1500
355L/L1	2	630	560	254	75	140	20	67.5	355	28	740	680	800	0	8-Φ24	6	130	750	52	735	715	645	1000	1530
	4,6,8,10,12				95	170	25	86																1530
355L2/L3	2	630	560	254	80	170	22	71	355	28	740	680	800	0	8-Φ24	6	130	750	52	735	715	645	1000	1530
	4,6,8,10,12				110	210	28	100																1570

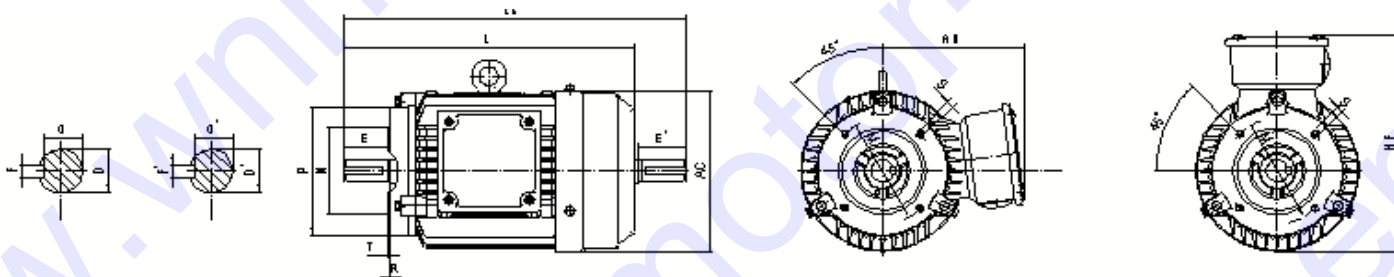
### V1 (Vertical Shaft down Footless Flange Mounted)



Frame	Poles	Mounting Dimension										Overall Dimension			
		D	E	F	G	M	N	P	R	S	T	AC	AD	HF	L
180M	2,4,6,8	48	110	14	42.5	300	250	350	0	4-Φ19	5	360	265	500	725
180L															765
200L	2,4,6,8	55	110	16	49	350	300	400	0	4-Φ19	5	400	305	570	825
225S	4,8	60	140	18	53	400	350	450	0	8-Φ19	5	450	325	615	855
	2	55	110	16	49										860
225M	4,6,8	60	140	18	53	500	450	550	0	8-Φ19	5	510	380	715	885
	2	65	140	18	58										955
250M	2	60	140	18	53	500	450	550	0	8-Φ19	5	550	395	760	1045
	4,6,8	65			58										
280S	2	65	140	18	58	500	450	550	0	8-Φ19	5	550	395	760	1045
	4,6,8	75			20										

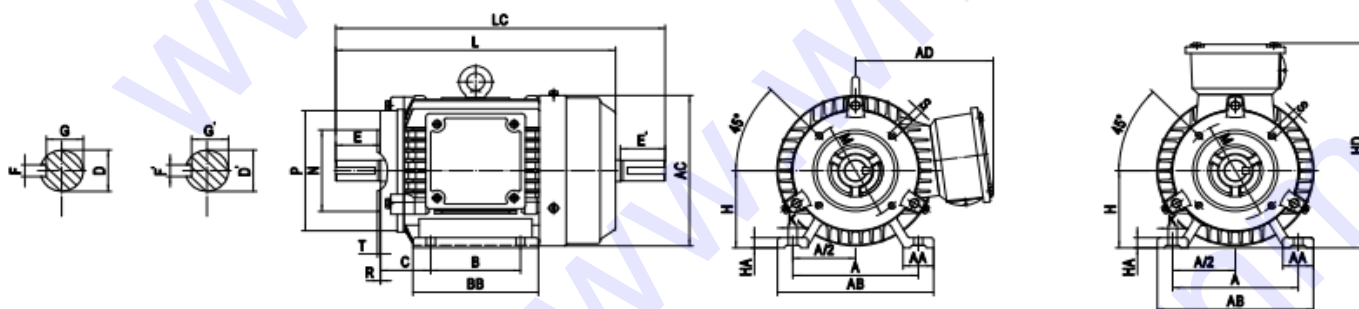
280M	2	65		18	58	600	550	660	0	8-Φ24	6	630	540	970	1100
	4,6,8	75		20	67.5										
315S	2	65	140	18	58	740	680	800	0	8-Φ24	6	715	645	113	1310
	4,6,8,10	80	170	22	71										1340
315M	2	65	140	18	58	740	680	800	0	8-Φ24	6	715	645	113	1345
	4,6,8,10	80	170	22	71										1375
315L	2	65	140	18	58	740	680	800	0	8-Φ24	6	715	645	113	1420
	4,6,8,10	80	170	22	71										1450
355M	2	75	140	20	67.5	740	680	800	0	8-Φ24	6	715	645	113	1530
	4,6,8,10,12	95	170	25	86										1560
355L/L1	2	75	140	20	67.5	740	680	800	0	8-Φ24	6	715	645	113	1640
	4,6,8,10,12	95	170	25	86										1670
355L2/L3	2	80	170	22	71	740	680	800	0	8-Φ24	6	715	645	113	1670
	4,6,8,10,12	110	210	28	100										1710

YX3 series motor with 2 shaft ends, dimensions as follows: mm  
**B14 (Footless and Small Flange Mounted)**



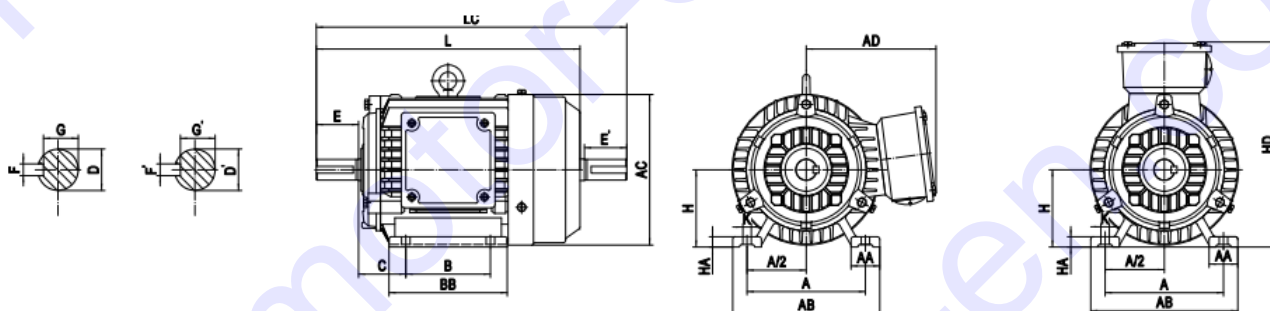
Frame	Poles	Mounting Dimension										Overall Dimension				
		D/D'	E/E'	F/F'	G/G'	M	N	P	R	S	T	AC	AD	HF	L	LC
80M	2,4,6,8	19	40	6	15.5	100	80	120	0	4-M6	3	165	145	245	290	333
90S	2,4,6,8	24	50	8	20	115	95	140	0	4-M8	3	180	165	265	315	368
90L	2,4,6,8														340	393
100L	2,4,6,8	28	60	8	24	130	110	160	0	4-M8	3.5	205	175	300	390	448
112M	2,4,6,8	28	60	8	24	130	110	160	0	4-M8	3.5	225	190	315	420	483

**B34 (Foot and Small Flange Mounted)**

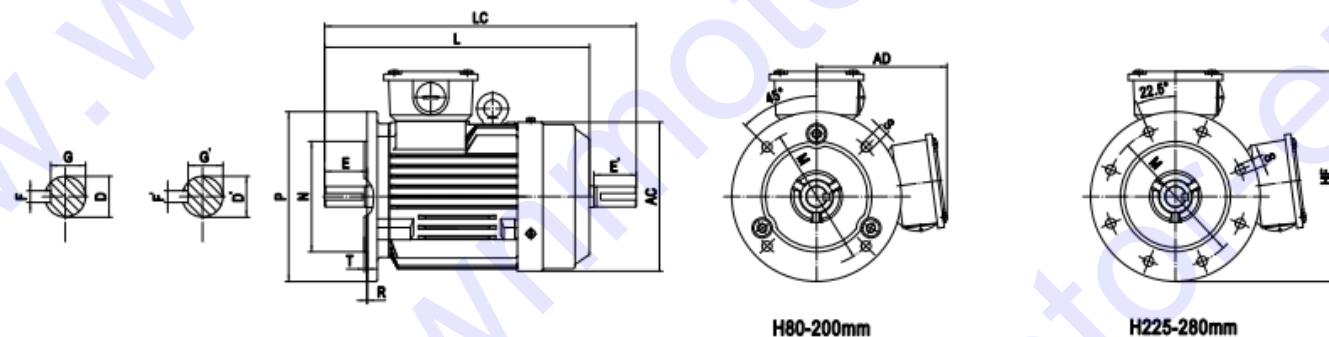


Frame	Poles	Mounting Dimension															Overall Dimension								
		A	B	C	D/D'	E/E'	F/F'	G/G'	H	K	M	N	P	R	S	T	AA	BB	HA	AB	AC	AD	HD	L	LC
80M	2,4,6,8	125	100	50	19	40	6	15.5	80	10	100	80	120	0	4-M6	3	32	135	10	160	165	145	225	290	333
90S	2,4,6,8	140	100	56	24	50	8	20	90	10	115	95	140	0	4-M8	3	34	145	12	180	180	165	255	315	368
90L	2,4,6,8		125																					170	340
100L	2,4,6,8	160	140	63	28	60	8	24	100	12	130	110	160	0	4-M8	3.5	39	186	14	200	205	175	275	390	448
112M	2,4,6,8	190	140	70	28	60	8	24	112	12	130	110	160	0	4-M8	3.5	45	200	14	230	225	190	300	420	483

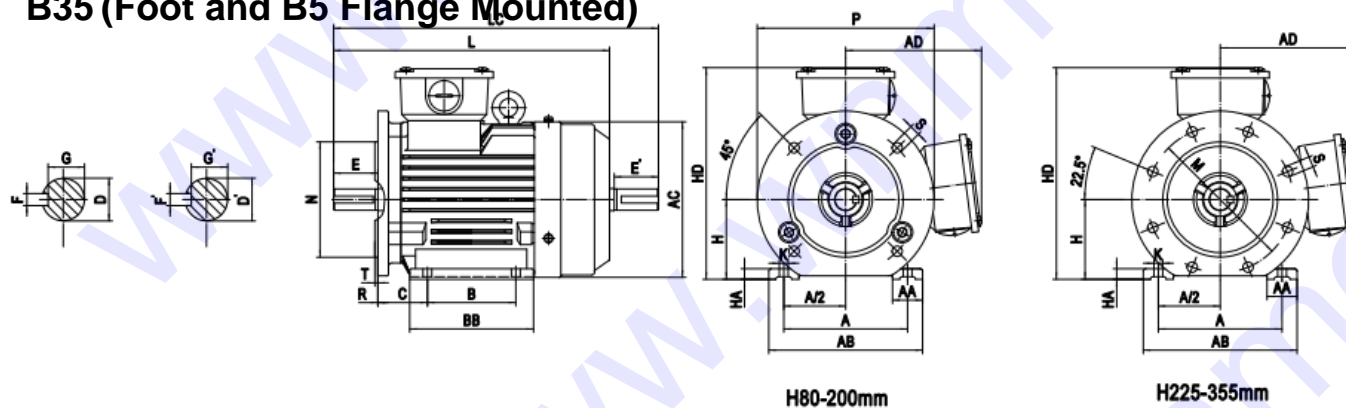
### B3 (Horizontal Foot Mounted Only)



### B5 (Footless and B5 Flange Mounted)



### B35 (Foot and B5 Flange Mounted)



### B3 Dimension & Mounting

Frame	poles	Mounting Dimension											Overall Dimension										
		A	B	C	D	D'	E	E'	F	F'	G	G'	H	K	AA	BB	HA	AB	AC	AD	HD	L	LC
80M	2,4,6,8	125	100	50	19	19	40	40	6	6	15.5	15.5	80	10	32	135	10	160	165	145	225	290	333
90S	2,4,6,8	140	100	56	24	24	50	50	8	8	20	20	90	10	34	145	12	180	180	165	255	320	368
90L		125	125	170												170						340	393
100L	2,4,6,8	160	140	63	28	28	60	60	8	8	24	24	100	12	39	186	14	200	205	175	275	390	448
112M	2,4,6,8	190	140	70	28	28	60	60	8	8	24	24	112	12	45	200	14	230	225	190	300	420	483
132S	2,4,6,8	216	140	89	38	38	80	80	10	10	33	33	132	12	55	190	18	265	270	220	350	470	551
132M		178	178													230						505	589
160M	2,4,6,8	254	210	108	42	42	110	110	12	12	37	37	160	15	65	260	20	315	320	260	420	605	719
160L		254	254													304						650	763
180M	2,4,6,8	279	241	121	48	48	110	110	14	14	42.5	42.5	180	15	70	311	22	355	360	265	445	675	788
180L		279	279													349						715	826
200L	2,4,6,8	318	305	133	55	55	110	110	16	16	49	49	200	19	74	379	26	395	400	305	505	765	879
225S	4,8		286		60	55	140	110	18	16	53	49				375						795	909
225M	2	356	311	149	55	48	110	110	16	16	49	49	225	19	78	400	28	435	450	325	550	790	904
	4,6,8				60	55	140	110	18	16	53	49				400						820	934
250M	2	406	349	168	60	55	140	110	18	16	53	49	250	24	80	445	30	490	510	380	630	885	998
	4,6,8				65	65					58	49											
280S	2		368		65	55			18	16	58	49				485						960	1074
	4,6,8	457		190	75	60	140	140	20	18	67.5	53	280	24	90		35	545	550	395	675	1104	
280M	2		419		65	55			18	16	58	49				536						1015	1125
	4,6,8				75	60			20	18	67.5	53											1155
315S	2		406		65	65	140	140	18	18	58	58				570						1174	1330
	4,6,8,10	508		216	80	80	170	170	22	22	71	71	315	28	120		45	635	630	540	855	1204	1360
315M	2		457		65	65	140	140	18	18	58	58				610						1209	1365
	4,6,8,10				80	80	170	170	22	22	71	71										1234	1420

315L	2	508	508	216	65	65	140	140	18	18	58	58	315	28	120	680	45	635	630	540	855	1284	1440
	4,6,8,10				80	80	170	170	22	22	71	71										1314	1500
355M	2	560			75	75	140	140	20	20	67.5	67.5				690						1373	1530
	4,6,8,10,12				95	80	170	170	25	25	86	71										1403	1590
355L/L 1	2	610		254	75	75	140	140	20	20	67.5	67.5	355	28	130	750	52	735	715	645	1000	1373	1530
	4,6,8,10,12			630	95	80	170	170	25	25	86	71										1513	1690
355L2/ L3	2				80	80	170	170	22	22	71	71										1513	1690
	4,6,8,10,12				110	80	210	170	28	22	100	71										1558	1745

### B5 Dimensions & Mounting

Frame	poles	Mounting Dimension													Overall Dimension					
		D	D'	E	E'	F	F'	G	G'	M	N	P	R	S	T	AC	AD	HF	L	LC
80M	2,4,6,8	19	19	40	40	6	6	15.5	15.5	165	130	200	0	4-Φ12	3.5	165	145	245	290	333
90S	2,4,6,8	24	24	50	50	8	8	20	20	165	130	200	0	4-Φ12	3.5	180	165	265	315	368
90L	2,4,6,8																		340	393
100L	2,4,6,8	28	28	60	60	8	8	24	24	215	180	250	0	4-Φ15	4	205	175	300	390	448
112M	2,4,6,8	28	28	60	60	8	8	24	24	215	180	250	0	4-Φ15	4	225	190	315	420	483
132S	2,4,6,8	38	38	80	80	10	10	33	33	265	230	300	0	4-Φ15	4	270	220	370	470	551
132M	2,4,6,8																		505	589
160M	2,4,6,8	42	42	110	110	12	12	37	37	300	250	350	0	4-Φ19	5	320	260	435	605	719
160L	2,4,6,8																		650	763
180M	2,4,6,8	48	48	110	110	14	14	42.5	42.5	300	250	350	0	4-Φ19	5	360	265	440	675	788
180L	2,4,6,8																		715	826
200L	2,4,6,8	55	55	110	110	16	16	49	49	350	300	400	0	4-Φ19	5	400	305	505	765	879
225S	4,8	60	55	140	110	18	16	53	49										795	909
225M	2	55	48	110	110	16	16	49	43	400	350	450	0	8-Φ19	5	450	325	550	790	904
	4,6,8	60	55	140	110	18	16	53	49										820	934
250M	2	60	55	140	110	18	16	53	49	500	450	550	0	8-Φ19	5	510	380	655	885	998







Conventional mounting type and suitable frame size are given in following table (with “√”)

Frame	basic type			derived type											
	B3	B5	B35	V1	V3	V5	V6	B6	B7	B8	V15	V36	B14	B34	V18
80~112	√	√	√	√	√	√	√	√	√	√	√	√	√	√	√
132~160	√	√	√	√	√	√	√	√	√	√	√	√	√	-	-
180~280	√	√	√	√	-	-	-	-	-	-	-	-	-	-	-
315~355	√	-	√	√	-	-	-	-	-	-	-	-	-	-	-

If there is no other request in the order or agreement, terminal box position at the right side of the frame is regarded as standard; data above may be changed without prior notice.