

## YZNP<sub>2</sub> Smart Control Induction Motor



- Frame sizes: 80 to 132
- Voltage: 380V
- Number of poles: 2,4
- Degree of protection: IP55
- Rated output: 0.18 to 7.5kW
- Frequency range: 25Hz or 100 Hz
- Insulation class: F
- Efficiency levels: IE2

**Features:** These series motor is different from general frequency variable motor. The motor and inverter is highly integrated as an organic whole, with small size, light weight, wide range of frequency conversion, stable performance and other advantages.

**Applications:** Widely used in fans, pumps, compressors, CNC machine tools and other industries. It's in line with the current trend of intelligent development of new products.

## Highlights

Simple operation

Compact structure

Attractive Profile

Wide Application

Perfect Service

Reliability

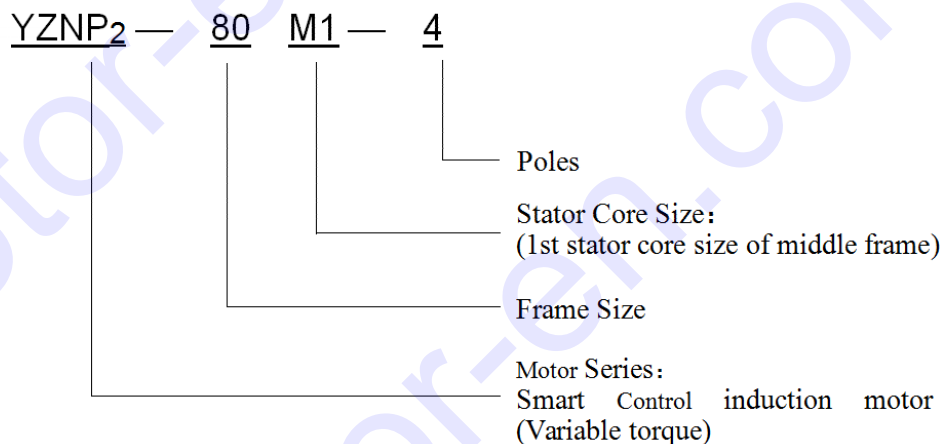
Stability

Independent brand

Space-saving

Highly-integrated

## The Implication of the symbol



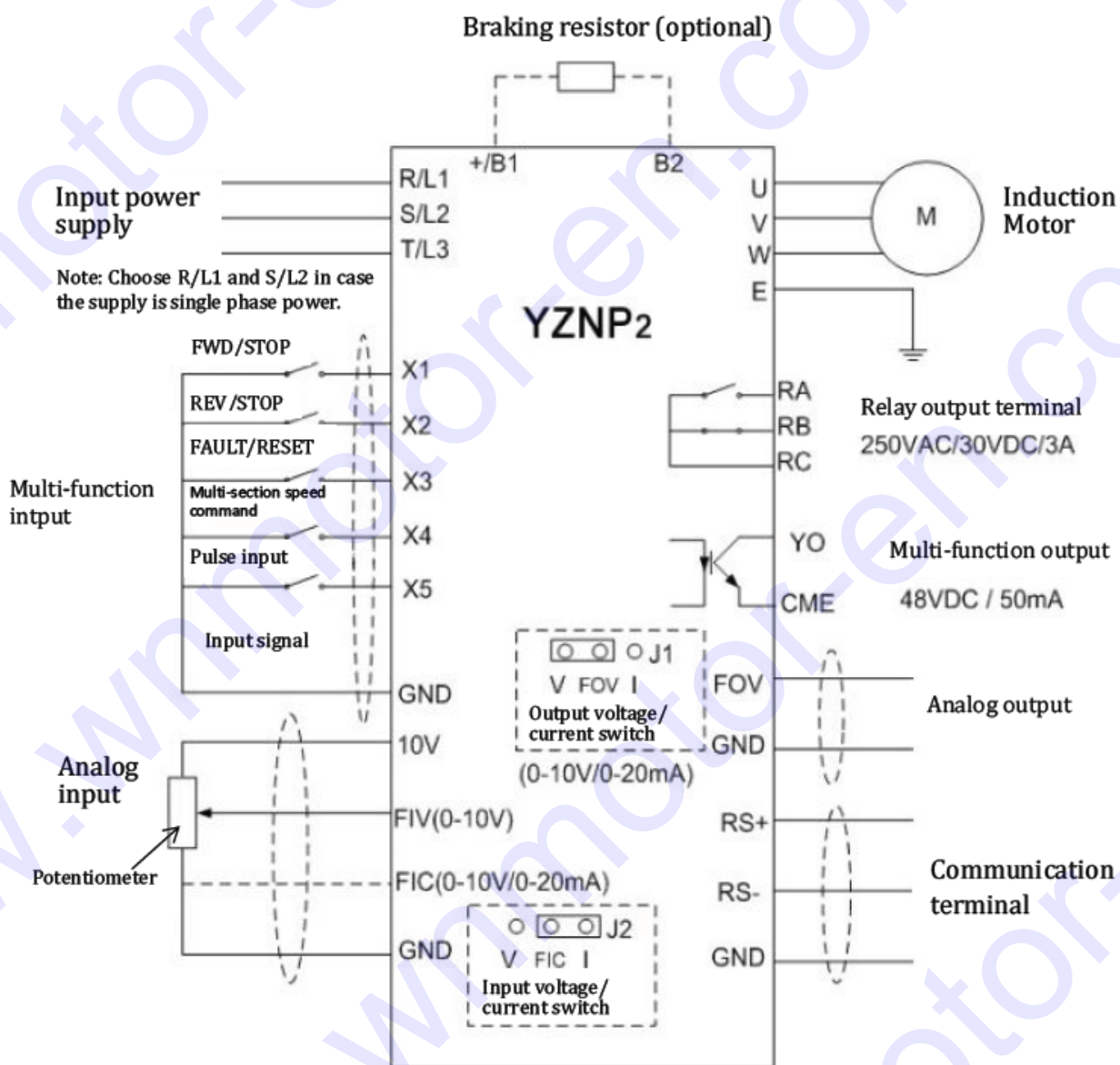
## Controller Performance Data

Item	Description
Control	Open-loop vector control (No PG)、 V/F control
Max frequency	Vector control: 0~300Hz V/F control: 0~3200Hz
Carrier Frequency	0.5kHz~16kHz Self-adjust frequency basing on the load characteristic
Input FREQ Resolution	Digital setting: 0.01Hz Analog setting: max frequency×0.025%
Start Torque	0.5Hz/150%
Speed Range	1: 100
Steady Speed Accuracy	±0.5%
Overload Capacity	150% rating current 60s; 180% rating current 3s。
Torque Boost	Automatically; Manually 0.1%~30.0%
V/F Curve	3 Modes: Linear; Multi-point; N-th power V/F curve (1.2 powers、 1.4 powers、 1.6 powers、 1.8 powers、 2 powers)
V/F Separation	2 Modes: Total separation、 Semi separation
ACC/DCC Curve	Linear or S curve ACC/DCC PTN. 4 time modes of ACC/DCC (Timer range 0.0~6500.0s)
DC Brake	DC braking frequency: 0.00Hz~Max FREQ Braking time: 0.0s~36.0s Braking current: 0.0%~100.0%
JOG Control	JOG FREQ: 0.00Hz~50.00Hz。 JOG ACC/DCC time range 0.0s~6500.0s。
PLC、 Multi-section speed	Max 16- section speed operation available with built-in PLC or terminal control
Built-in PID	Process close-loop control system available
AVR Function	Automatically regulate the voltage to constant output though the changing in the grid voltage.
Overcurrent / overvoltage stalling	Automatically limit the current and voltage during running to avoid frequent overcurrent /overvoltage trip.
Current limiting function	Reduce overcurrent malfunction, ensure motor's operation
TORQ Limitation	Automatically limit the torque during running to avoid frequent overcurrent trip.

Motor Performance Data								380V	50Hz
Type	Power kW	Rating Current A	Speed r/min	Eff. %	P.F	Torque N.m	Variable Torque Speed Range	Constant Output Speed Range	Noise dB(A)
<b>Rating Synchronous Speed 3000 r/min</b>									
YZNP2-80M1-2	0.75	1.8	2855	77.4	0.82	2.51	1500~3000rpm	3000~3600rpm	70
YZNP2-80M2-2	1.1	2.5	2870	79.6	0.83	3.66			70
YZNP2-90S-2	1.5	3.3	2865	81.3	0.84	5.00			74
YZNP2-90L-2	2.2	4.7	2870	83.2	0.85	7.32			74
YZNP2-100L-2	3	6.2	2875	84.6	0.87	10.0			78
YZNP2-112M-2	4	8.0	2910	85.8	0.88	13.1			80
YZNP2-132S1-2	5.5	10.9	2935	87.0	0.88	17.9			83
YZNP2-132S2-2	7.5	14.5	2930	88.1	0.89	24.4			83
<b>Rating Synchronous Speed 1500 r/min</b>									
YZNP2-80M1-4	0.55	1.4	1430	79.0	0.75	3.67	750~1500rpm	1500~1800rpm	60
YZNP2-80M2-4	0.75	1.9	1425	79.6	0.76	5.03			60
YZNP2-90S-4	1.1	2.7	1420	81.4	0.77	7.40			63
YZNP2-90L-4	1.5	3.5	1420	82.8	0.78	10.1			63
YZNP2-100L1-4	2.2	5.0	1430	84.3	0.80	14.7			66
YZNP2-100L2-4	3	6.6	1430	85.5	0.81	20.0			66
YZNP2-112M-4	4	8.7	1450	86.6	0.81	26.3			68
YZNP2-132S-4	5.5	11.6	1465	87.7	0.82	35.9			73
YZNP2-132M-4	7.5	15.5	1465	88.7	0.83	48.9			73

Controller Performance Data				Input: 3PH AV 380V ±5%	
Type	Inverter	Output Power (kW)	Input Current (A)	Output Current (A)	
YZNP2-80M1-2	WN60-0.75G-T-4	0.75	3.8	2.5	
YZNP2-80M1-4					
YZNP2-80M2-4					
YZNP2-80M2-2	WN60-1.5G-T-4	1.5	5	3.7	
YZNP2-90S-2					
YZNP2-90S-4					
YZNP2-90L-4	WN60-1.5G-T-4	1.5	5	3.7	
YZNP2-90L-2	WN60-2.2G-T-4	2.2	5.8	5	
YZNP2-100L1-4					
YZNP2-100L-2	WN60-3.7G-T-4	3.7	10	9	
YZNP2-100L2-4					
YZNP2-112M-2	WN60-5.5G-T-4	5.5	15	13	
YZNP2-132S1-2					
YZNP2-112M-4					
YZNP2-132S-4					
YZNP2-132S2-2	WN60-7.5G-T-4	7.5	20	17	
YZNP2-132M-4					

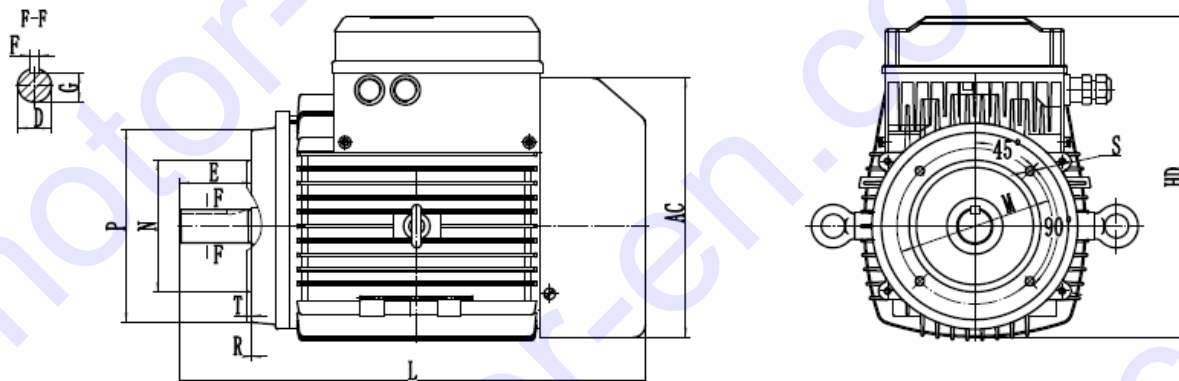
Connection Diagram



Dimension

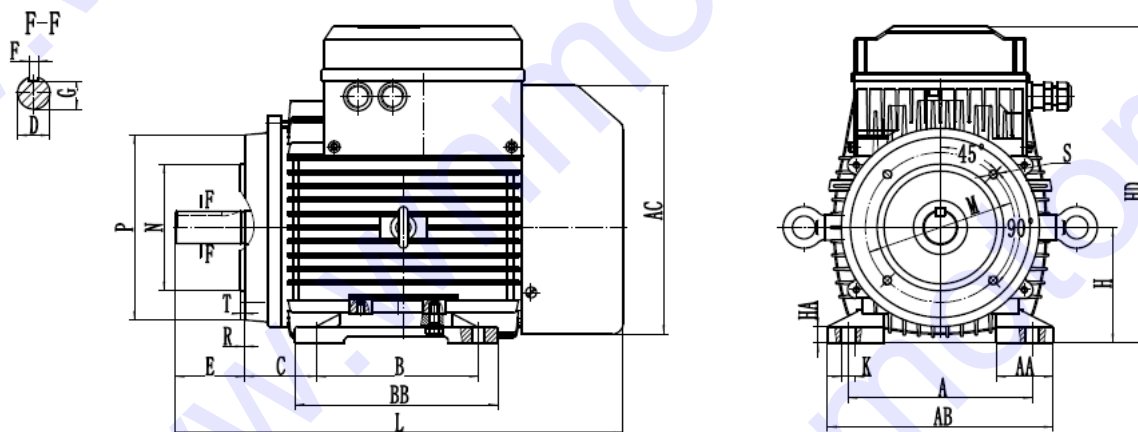
mm

**B14**



Frame	Poles	Mounting Dimension											Overall Dimension		
		D	E	F	G	M	N	P	R	S	T	AC	HD	L	
80M	2,4,6,8	19	40	6	15.5	100	80	120	0	4-M6	3	170	225	295	
90S	2,4,6,8	24	50	8	20	115	95	140	0	4-M8	3	180	245	355	
100L	2,4,6,8	28	60	8	24	130	110	160	0	4-M8	3.5	220	275	395	
112M	2,4,6,8	28	60	8	24	130	110	160	0	4-M8	3.5	240	300	425	
132S	2,4,6,8	38	80	10	33	165	130	200	0	4-M10	3.5	295	355	510	
132M	2,4,6,8	38	80	10	33	165	130	200	0	4-M10	3.5	295	355	510	

**B34**

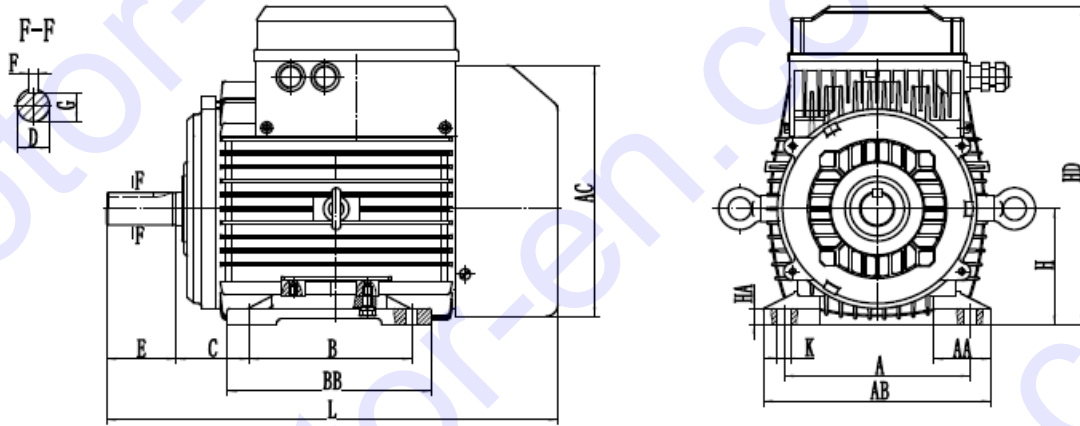


Frame	Poles	Mounting Dimension														Overall Dimension							
		A	B	C	D	E	F	G	H	K	M	N	P	R	S	T	AA	BB	HA	AB	AC	HD	L
80M	2,4,6,8	125	100	50	19	40	6	15.5	80	10×13	100	80	120	0	4-M6	3	35	130	10	160	170	225	295
90S	2,4,6,8	140	100	56	24	50	8	20	90	10×13	115	95	140	0	4-M8	3	35	150	12	175	180	245	355
90L	2,4,6,8		125															155					
100L	2,4,6,8	160	140	63	28	60	8	24	100	12×16	130	110	160	0	4-M8	3.5	37	176	14	200	220	275	395
112M	2,4,6,8	190	140	70	28	60	8	24	112	12×16	130	110	160	0	4-M8	3.5	44	180	14	216	240	300	425
132S	2,4,6,8	216	140	89	38	80	10	33	132	12×16	165	130	200	0	4-M10	3.5	61	186	16	260	295	355	505
132M	2,4,6,8	216	178	89	38	80	10	33	132	12×16	165	130	200	0	4-M10	3.5	61	224	16	260	295	355	505

Dimension

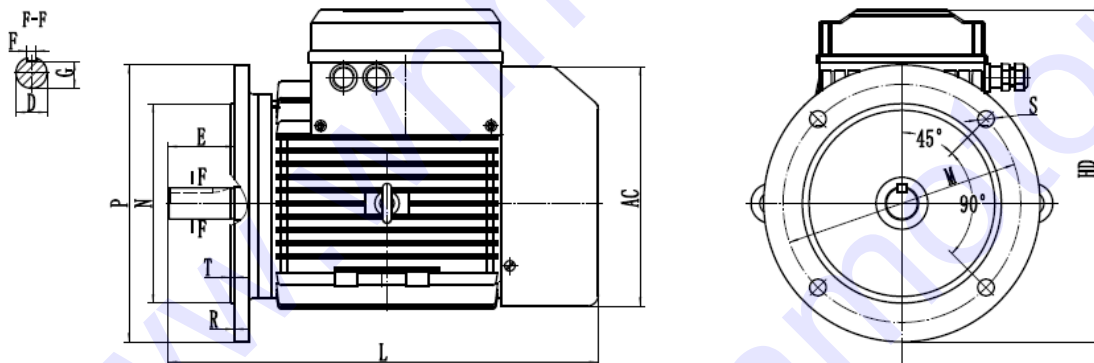
mm

**B3**



Frame	Poles	Mounting Dimension									Overall Dimension						
		A	B	C	D	E	F	G	H	K	AA	BB	HA	AB	AC	HD	L
80M	2,4,6,8	125	100	50	19	40	6	15.5	80	10×13	35	130	10	160	170	225	295
90S	2,4,6,8	140	100	56	24	50	8	20	90	10×13	35	150	12	175	180	245	355
90L			125									155					
100L	2,4,6,8	160	140	63	28	60	8	24	100	12×16	37	176	14	200	220	275	395
112M	2,4,6,8	190	140	70	28	60	8	24	112	12×16	44	180	14	216	240	300	425
132S	2,4,6,8	216	140	89	38	80	10	33	132	12×16	61	186	16	260	295	355	510
132M			178									224					

**B5**



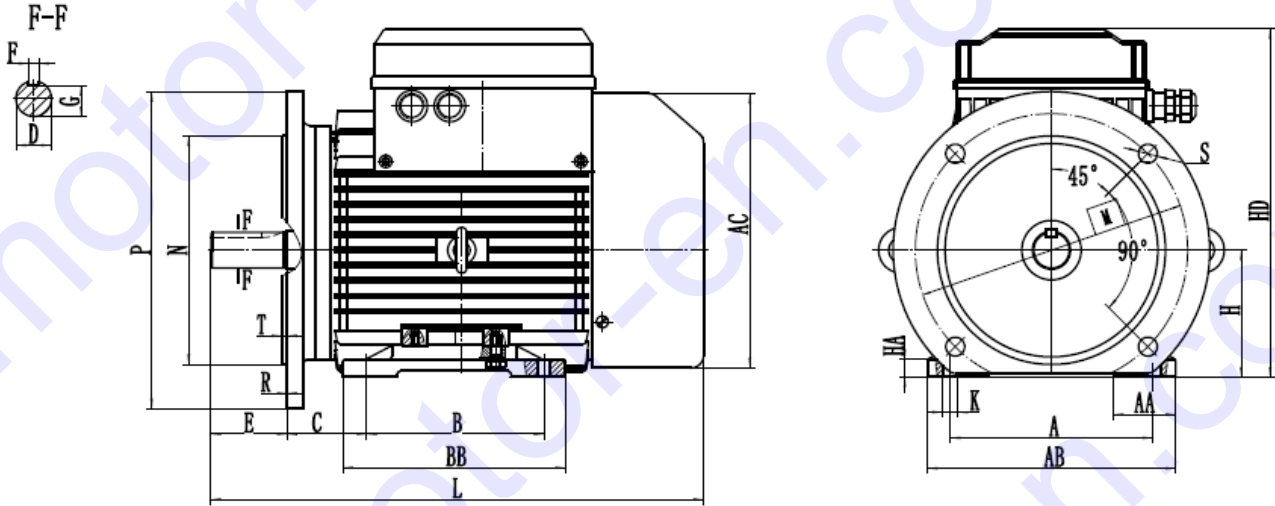
Frame	Poles	Mounting Dimension										Overall Dimension		
		D	E	F	G	M	N	P	R	S	T	AC	HD	L
80M	2,4,6,8	19	40	6	15.5	165	130	200	0	4-Φ12	3.5	170	245	310
90S	2,4,6,8	24	50	8	20	165	130	200	0	4-Φ12	3.5	180	255	355
90L														
100L	2,4,6,8	28	60	8	24	215	180	250	0	4-Φ15	4	220	300	395
112M	2,4,6,8	28	60	8	24	215	180	250	0	4-Φ15	4	240	315	425
132S	2,4,6,8	38	80	10	33	265	230	300	0	4-Φ15	4	295	355	510
132M														



Dimension

mm

B35



Frame	Poles	Mounting Dimension														Overall Dimension							
		A	B	C	D	E	F	G	H	K	M	N	P	R	S	T	AA	BB	HA	AB	AC	HD	L
80M	2,4,6,8	125	100	67	19	40	6	15.5	80	10×13	165	130	200	0	4-Φ12	3.5	35	130	10	160	170	225	310
90S	2,4,6,8	140	100	56	24	50	8	20	90	10×13	165	130	200	0	4-Φ12	3.5	35	150	12	180	175	245	355
90L			125															155					
100L	2,4,6,8	160	140	63	28	60	8	24	100	12×16	215	180	250	0	4-Φ15	4	37	176	14	200	220	275	395
112M	2,4,6,8	190	140	70	28	60	8	24	112	12×16	215	180	250	0	4-Φ15	4	44	180		216	240	300	425
132S	2,4,6,8	216	140	89	38	80	10	33	132	12×16	265	230	300	0	4-Φ15	4	61	186	16	260	295	355	510
132M			178															224					