

## **YL. YLKK Series**

**H355-630 medium size three-phase vertical type asynchronous motors**



**YL Series**



**YLKK Series**

## 1. General description

YL、YLKK Series medium size high Voltage, three-phase asynchronous motors (Frame No.450-630) mounting dimensions and tolerance are coincident with Chinese standard GB755 《Rotating Electrical Machines-Rating and Performance》, International Electrical committee standard IEC34-1 《Rotating Electrical Machines-Rating and Performance》 and machinery-profession standards JB/T7593 JB/T10315.1 etc.

The grade of protection for outer cover is in accordance with Chinese standard GB4942 and IEC34-5 standard 《Rotating electrical machines- enclosure ingress protection》. There are four grades IP23 、 IP44 、 IP54 and IP55.

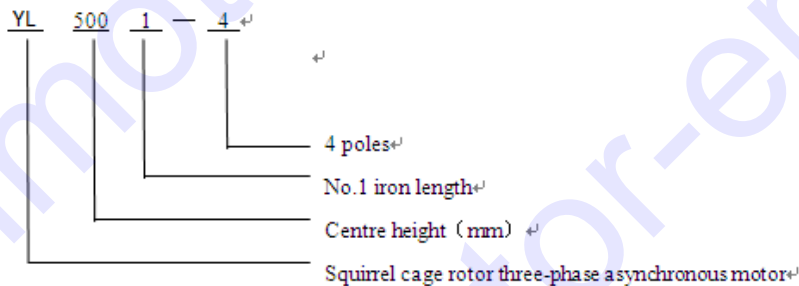
## 2. Structure specification

The construction of these series are a international popular tank box shape. The motors frame and end cover are made of steel plate and welded into a form to make it stiff and light weight.

Stator is an outer-press-assembly structure. The stator is made of F grade insulation and corona proof material, a special banding technique is used for winding end part fastening. The whole stator has been treated with VPI technology to make stator with a robust body and good electric and moisture proof.

The rotor can be developed into two modes casting aluminum and copper bar rotor. Casting aluminum rotor is casted with pure aluminum which is reliable in operation and will don't have the phenomenon of rotor conductor to be broken up. The motor's rotor copper conductors and end rings adopt intermediate-frequency welding when the rotor is copper-cage rotor. The rotor copper conductors are featured by high reliability via dealing with tightening craft in trough.

## 3.The Implication of the symbol



## 4. Details

### YL Series:

- Frame sizes: 355-630
- Insulation class: F
- Rotor: Squirrel cage
- Voltage: 6kV, 10kV
- Rated output: 220-2800kW
- Degree of protection: IP23 /IP44/IP54/IP55
- Mounting: Vertical

**Features:** The frame is made of steel plate being welded up into form of square tank shape with light weight and firm rigidity. Stator is an outer-press-assembly structure. The stator is made of F grade insulation and corona proof material, a special banding technique is used for winding end part fastening. The whole stator has been treated with VPI technology to make stator with a robust body and good electric and moisture proof. The rotor can be developed into casting aluminum rotor or copper bar rotor. The copper cage rotor guide bar and end ring are welded by intermediate frequency, and the copper guide bar diameter groove is treated with solid technology to make it have high reliability. It can withstand a lot of axial force.

**Applications:** Ideal for driving all kinds of water pump.

### Y LKK Series:

- Frame sizes: 355-630
- Insulation class: F
- Rotor: Squirrel cage
- Voltage: 6kV, 10kV
- Rated output: 185-2240kW
- Degree of protection: IP44/IP54 /IP55
- Mounting: Vertical

**Features:** The frame is made of steel plate being welded up into form of square tank shape with light weight and firm rigidity. Stator is an outer-press-assembly structure. The stator is made of F grade insulation and corona proof material, a special banding technique is used for winding end part fastening. The whole stator has been treated with VPI technology to make stator with a robust body and good electric and moisture proof. The rotor can be developed into casting aluminum rotor or copper bar rotor. The copper cage rotor guide bar and end ring are welded by intermediate frequency, and the copper guide bar diameter groove is treated with solid technology to make it have high reliability. It can withstand a lot of axial force.

**Applications:** Ideal for driving all kinds of water pump. The protection grade is higher than YL series motor.

- Frame sizes: 355-630
- Insulation class: F
- Rotor: Squirrel cage
- Voltage: 6kV, 10kV
- Rated output: 185-2240kW
- Degree of protection: IP44/IP54 /IP55
- Mounting: Vertical

## Performance Data

### YL series motor model composition ( 6kV )

| Frame |   | Synchronous rotation speed r/min |      |      |      |      |     |
|-------|---|----------------------------------|------|------|------|------|-----|
|       |   | 1500                             | 1000 | 750  | 600  | 500  |     |
|       |   | Output kW                        |      |      |      |      |     |
| 355   | 3 | 220                              | —    | —    | —    | —    |     |
|       | 4 | 250                              |      |      |      |      |     |
|       | 5 | 280                              | 220  |      |      |      |     |
|       | 6 | 315                              | 250  |      |      |      |     |
| 400   | 1 | 355                              | —    | —    | —    | —    |     |
|       | 2 | 400                              | 280  |      |      |      |     |
|       | 3 | 450                              | 315  |      |      |      | 220 |
|       | 4 | 500                              | 355  |      |      |      | 250 |
|       | 5 | 560                              | 400  |      |      |      | 280 |
| 450   | 1 | 630                              | 450  | 315  | 220  | —    |     |
|       | 2 | 710                              | 500  | 355  | 250  |      |     |
|       | 3 | 800                              | 560  | 400  | 280  |      |     |
|       | 4 | 900                              | 630  | 450  | 315  |      | 220 |
|       | 5 | —                                | —    | —    | 355  |      | 250 |
| 500   | 1 | 1000                             | 710  | 500  | 400  | 280  |     |
|       | 2 | 1120                             | 800  | 560  | 450  | 315  |     |
|       | 3 | 1250                             | 900  | 630  | 500  | 355  |     |
|       | 4 | 1400                             | 1000 | 710  | 560  | 400  |     |
|       | 5 | —                                | —    | —    | 630  | 450  |     |
| 560   | 1 | 1600                             | 1120 | 800  | 710  | 500  |     |
|       | 2 | 1800                             | 1250 | 900  | 800  | 560  |     |
|       | 3 | 2000                             | 1400 | 1000 | 900  | 630  |     |
| 630   | 1 | 2240                             | 1600 | 1120 | 1000 | 710  |     |
|       | 2 | 2500                             | 1800 | 1250 | 1120 | 800  |     |
|       | 3 | 2800                             | 2000 | 1400 | 1250 | 900  |     |
|       | 4 | —                                | —    | 1600 | 1400 | 1000 |     |

YLKK series motor model composition ( 6kV )

| Frame |   | Synchronous rotation speed r/min |      |      |      |     |     |
|-------|---|----------------------------------|------|------|------|-----|-----|
|       |   | 1500                             | 1000 | 750  | 600  | 500 |     |
|       |   | Output kW                        |      |      |      |     |     |
| 355   | 1 | 185                              | —    | —    | —    | —   |     |
|       | 2 | 200                              |      |      |      |     |     |
|       | 3 | 220                              |      |      |      |     |     |
|       | 4 | 250                              |      |      |      |     |     |
| 400   | 1 | —                                | 185  | —    | —    | —   |     |
|       | 2 | 280                              | 200  |      |      |     |     |
|       | 3 | 315                              | 220  |      |      |     |     |
|       | 4 | 355                              | 250  |      |      |     | 185 |
|       | 5 | 400                              | 280  |      |      |     | 200 |
|       | 6 | 450                              | 315  |      |      |     | 220 |
| 450   | 1 | —                                | —    | —    | 185  | —   |     |
|       | 2 | 500                              | 355  | 250  | 200  |     |     |
|       | 3 | 560                              | 400  | 280  | 220  |     |     |
|       | 4 | 630                              | 450  | 315  | 250  |     | 185 |
|       | 5 | 710                              | 500  | 355  | 280  |     | 200 |
| 500   | 1 | 800                              | 560  | 400  | 315  | 220 |     |
|       | 2 | 900                              | 630  | 450  | 355  | 250 |     |
|       | 3 | 1000                             | 710  | 500  | 400  | 280 |     |
|       | 4 | 1120                             | 800  | 560  | 450  | 315 |     |
| 560   | 1 | 1250                             | 900  | 630  | 500  | 355 |     |
|       | 2 | 1400                             | 1000 | 710  | 560  | 400 |     |
|       | 3 | 1600                             | 1120 | 800  | 630  | 450 |     |
|       | 4 | —                                | —    | —    | 710  | 500 |     |
| 630   | 1 | 1800                             | 1250 | 900  | 800  | 560 |     |
|       | 2 | 2000                             | 1400 | 1000 | 900  | 630 |     |
|       | 3 | 2240                             | 1600 | 1120 | 1000 | 710 |     |
|       | 4 | —                                | —    | 1250 | 1120 | 800 |     |

YL series motor model composition ( 10kV )

| Frame |   | Synchronous rotation speed r/min |      |      |      |     |
|-------|---|----------------------------------|------|------|------|-----|
|       |   | 1500                             | 1000 | 750  | 600  | 500 |
|       |   | Output kW                        |      |      |      |     |
| 450   | 1 | 355                              | —    | —    | —    | —   |
|       | 2 | 400                              | —    | —    | —    | —   |
|       | 3 | 450                              | 315  | —    | —    | —   |
|       | 4 | 500                              | 355  | —    | —    | —   |
|       | 5 | 560                              | 400  | —    | —    | —   |
|       | 6 | 630                              | 450  | —    | —    | —   |
| 500   | 1 | 710                              | 500  | 315  | —    | —   |
|       | 2 | 800                              | 560  | 355  | —    | —   |
|       | 3 | 900                              | 630  | 400  | 280  | —   |
|       | 4 | 1000                             | 710  | 450  | 315  | —   |
|       | 5 | 1120                             | 800  | 500  | 355  | —   |
|       | 6 | —                                | —    | 560  | 400  | —   |
| 560   | 1 | 1250                             | 900  | 630  | 450  | 315 |
|       | 2 | 1400                             | 1000 | 710  | 500  | 355 |
|       | 3 | 1600                             | 1120 | 800  | 560  | 400 |
|       | 4 | —                                | 1250 | 900  | 630  | 450 |
|       | 5 | —                                | —    | —    | 710  | 500 |
| 630   | 1 | 1800                             | 1400 | 1000 | 800  | 560 |
|       | 2 | 2000                             | 1600 | 1120 | 900  | 630 |
|       | 3 | 2240                             | 1800 | 1250 | 1000 | 710 |
|       | 4 | —                                | —    | —    | 1120 | 800 |

YLKK series motor model composition ( 10kV )

| Frame |   | Synchronous rotation speed r/min |      |      |     |     |
|-------|---|----------------------------------|------|------|-----|-----|
|       |   | 1500                             | 1000 | 750  | 600 | 500 |
|       |   | Output kW                        |      |      |     |     |
| 450   | 1 | 250                              | —    | —    | —   | —   |
|       | 2 | 280                              | —    |      |     |     |
|       | 3 | 315                              | 220  |      |     |     |
|       | 4 | 355                              | 250  |      |     |     |
|       | 5 | 400                              | 280  |      |     |     |
|       | 6 | 450                              | 315  |      |     |     |
|       | 7 | 500                              | 355  |      |     |     |
|       | 8 | 560                              | 400  |      |     |     |
| 500   | 1 | —                                | —    | 250  | —   | —   |
|       | 2 | 560                              | 400  | 280  | —   |     |
|       | 3 | 630                              | 450  | 315  | 220 |     |
|       | 4 | 710                              | 500  | 355  | 250 |     |
|       | 5 | 800                              | 560  | 400  | 280 |     |
|       | 6 | 900                              | 630  | 450  | 315 |     |
| 560   | 1 | —                                | —    | —    | 355 | 250 |
|       | 2 | —                                | 710  | 500  | 400 | 280 |
|       | 3 | 1000                             | 800  | 560  | 450 | 315 |
|       | 4 | 1120                             | 900  | 630  | 500 | 355 |
|       | 5 | 1250                             | 1000 | 710  | 560 | 400 |
| 630   | 1 | —                                | —    | —    | 630 | 450 |
|       | 2 | 1400                             | 1120 | 800  | 710 | 500 |
|       | 3 | 1600                             | 1250 | 900  | 800 | 560 |
|       | 4 | 1800                             | 1400 | 1000 | 900 | 630 |

Note: Technical data and external installation size are for reference. We will not inform you if there is any change.

YL medium size, motor technical data (6kV)

| Type     | Output<br>(kW) | Stator<br>current<br>(A) | RPM<br>(r/min) | Eff.<br>(%) | P.F<br>CosΦ | Tm<br>Tn | Tst<br>Tn | Ist<br>In | Rotational inertia               |                                | Weight<br>(kg) |
|----------|----------------|--------------------------|----------------|-------------|-------------|----------|-----------|-----------|----------------------------------|--------------------------------|----------------|
|          |                |                          |                |             |             |          |           |           | Motor Jm<br>(kg.m <sup>2</sup> ) | Load J<br>(kg.m <sup>2</sup> ) |                |
| YL3553-4 | 220            | 26.7                     | 1490           | 93.3        | 0.85        | 1.8      | 0.8       | 6.5       | 3.0                              | 78                             | 1820           |
| YL3554-4 | 250            | 30.3                     | 1490           | 93.4        | 0.85        | 1.8      | 0.8       | 6.5       | 4.0                              | 88                             | 1860           |
| YL3555-4 | 280            | 33.5                     | 1490           | 93.5        | 0.86        | 1.8      | 0.8       | 6.5       | 4.0                              | 97                             | 1900           |
| YL3556-4 | 315            | 37.7                     | 1490           | 93.6        | 0.86        | 1.8      | 0.8       | 6.5       | 4.0                              | 108                            | 1960           |
| YL4001-4 | 355            | 42.3                     | 1490           | 93.8        | 0.86        | 1.8      | 0.8       | 6.5       | 6.0                              | 120                            | 2380           |
| YL4002-4 | 400            | 47.6                     | 1490           | 94.0        | 0.86        | 1.8      | 0.8       | 6.5       | 6.0                              | 133                            | 2450           |
| YL4003-4 | 450            | 53.5                     | 1490           | 94.2        | 0.86        | 1.8      | 0.8       | 6.5       | 7.0                              | 147                            | 2530           |
| YL4004-4 | 500            | 58.6                     | 1490           | 94.3        | 0.87        | 1.8      | 0.8       | 6.5       | 7.0                              | 161                            | 2620           |
| YL4005-4 | 560            | 65.5                     | 1490           | 94.5        | 0.87        | 1.8      | 0.8       | 6.5       | 8.0                              | 178                            | 2710           |
| YL4501-4 | 630            | 73.5                     | 1490           | 94.8        | 0.87        | 1.8      | 0.8       | 6.5       | 11                               | 197                            | 3270           |
| YL4502-4 | 710            | 82.7                     | 1490           | 95.0        | 0.87        | 1.8      | 0.8       | 6.5       | 12                               | 218                            | 3350           |
| YL4503-4 | 800            | 93.0                     | 1490           | 95.1        | 0.87        | 1.8      | 0.8       | 6.5       | 13                               | 241                            | 3470           |
| YL4504-4 | 900            | 104.6                    | 1490           | 95.2        | 0.87        | 1.8      | 0.8       | 6.5       | 14                               | 266                            | 3690           |
| YL5001-4 | 1000           | 116.1                    | 1490           | 95.3        | 0.87        | 1.8      | 0.7       | 6.5       | 24                               | 290                            | 4300           |
| YL5002-4 | 1120           | 128.4                    | 1490           | 95.4        | 0.88        | 1.8      | 0.7       | 6.5       | 26                               | 318                            | 4450           |
| YL5003-4 | 1250           | 143.1                    | 1490           | 95.5        | 0.88        | 1.8      | 0.7       | 6.5       | 30                               | 347                            | 4750           |
| YL5004-4 | 1400           | 160.1                    | 1490           | 95.6        | 0.88        | 1.8      | 0.7       | 6.5       | 32                               | 380                            | 4920           |
| YL5601-4 | 1600           | 180.8                    | 1490           | 95.7        | 0.89        | 1.8      | 0.6       | 6.5       | 57                               | 420                            | 6550           |
| YL5602-4 | 1800           | 203.2                    | 1490           | 95.8        | 0.89        | 1.8      | 0.6       | 6.5       | 60                               | 460                            | 6780           |
| YL5603-4 | 2000           | 225.5                    | 1490           | 95.9        | 0.89        | 1.8      | 0.6       | 6.5       | 66                               | 498                            | 6950           |
| YL6301-4 | 2240           | 252.3                    | 1490           | 96.0        | 0.89        | 1.8      | 0.6       | 6.5       | 102                              | 540                            | 9060           |
| YL6302-4 | 2500           | 281.3                    | 1490           | 96.1        | 0.89        | 1.8      | 0.6       | 6.5       | 112                              | 584                            | 9470           |
| YL6303-4 | 2800           | 314.7                    | 1490           | 96.2        | 0.89        | 1.8      | 0.6       | 6.5       | 119                              | 631                            | 9790           |
| YL3555-6 | 220            | 27.8                     | 990            | 93.0        | 0.82        | 1.8      | 0.8       | 6         | 6.0                              | 210                            | 1950           |
| YL3556-6 | 250            | 31.4                     | 990            | 93.3        | 0.82        | 1.8      | 0.8       | 6         | 7.0                              | 236                            | 2010           |
| YL4002-6 | 280            | 34.7                     | 990            | 93.5        | 0.83        | 1.8      | 0.8       | 6         | 10                               | 262                            | 2400           |
| YL4003-6 | 315            | 39.0                     | 990            | 93.7        | 0.83        | 1.8      | 0.8       | 6         | 11                               | 291                            | 2460           |
| YL4004-6 | 355            | 43.8                     | 990            | 93.9        | 0.83        | 1.8      | 0.8       | 6         | 11                               | 324                            | 2540           |
| YL4005-6 | 400            | 49.3                     | 990            | 94.0        | 0.83        | 1.8      | 0.8       | 6         | 12                               | 361                            | 2630           |
| YL4501-6 | 450            | 54.8                     | 990            | 94.1        | 0.84        | 1.8      | 0.8       | 6         | 15                               | 401                            | 3230           |
| YL4502-6 | 500            | 59.9                     | 990            | 94.5        | 0.85        | 1.8      | 0.8       | 6         | 16                               | 440                            | 3310           |
| YL4503-6 | 560            | 66.9                     | 990            | 94.7        | 0.85        | 1.8      | 0.8       | 6         | 17                               | 487                            | 3410           |
| YL4504-6 | 630            | 75.2                     | 990            | 94.8        | 0.85        | 1.8      | 0.8       | 6         | 20                               | 540                            | 3640           |
| YL5001-6 | 710            | 84.6                     | 990            | 95.0        | 0.85        | 1.8      | 0.7       | 6         | 32                               | 599                            | 4220           |
| YL5002-6 | 800            | 95.2                     | 990            | 95.1        | 0.85        | 1.8      | 0.7       | 6         | 34                               | 665                            | 4360           |
| YL5003-6 | 900            | 107.0                    | 990            | 95.2        | 0.85        | 1.8      | 0.7       | 6         | 40                               | 736                            | 4650           |
| YL5004-6 | 1000           | 118.8                    | 990            | 95.3        | 0.85        | 1.8      | 0.7       | 6         | 47                               | 805                            | 4780           |



YL medium size, motor technical data (6kV)

| Type      | Output (kW) | Stator current (A) | RPM (r/min) | Eff. (%) | P.F CosΦ | $\frac{T_m}{T_n}$             | $\frac{T_{st}}{T_n}$        | $\frac{I_{st}}{I_n}$ | Rotational inertia |      | Weight (kg) |
|-----------|-------------|--------------------|-------------|----------|----------|-------------------------------|-----------------------------|----------------------|--------------------|------|-------------|
|           |             |                    |             |          |          | Motor Jm (kg.m <sup>2</sup> ) | Load J (kg.m <sup>2</sup> ) |                      |                    |      |             |
| YL5601-6  | 1120        | 131.4              | 990         | 95.4     | 0.86     | 1.8                           | 0.7                         | 6.5                  | 70                 | 886  | 6300        |
| YL5602-6  | 1250        | 146.5              | 990         | 95.5     | 0.86     | 1.8                           | 0.7                         | 6.5                  | 75                 | 972  | 6600        |
| YL5603-6  | 1400        | 163.9              | 990         | 95.6     | 0.86     | 1.8                           | 0.7                         | 6.5                  | 82                 | 1068 | 6730        |
| YL6301-6  | 1600        | 187.1              | 990         | 95.7     | 0.86     | 1.8                           | 0.7                         | 6.5                  | 147                | 1192 | 8790        |
| YL6302-6  | 1800        | 210.2              | 990         | 95.8     | 0.86     | 1.8                           | 0.7                         | 6.5                  | 162                | 1312 | 9230        |
| YL6303-6  | 2000        | 233.4              | 990         | 95.9     | 0.86     | 1.8                           | 0.7                         | 6.5                  | 173                | 1428 | 9440        |
| YL4003-8  | 220         | 29.2               | 740         | 92.9     | 0.78     | 1.8                           | 0.8                         | 5.5                  | 11                 | 424  | 2530        |
| YL4004-8  | 250         | 32.7               | 740         | 93.0     | 0.79     | 1.8                           | 0.8                         | 5.5                  | 12                 | 477  | 2600        |
| YL4005-8  | 280         | 36.6               | 740         | 93.2     | 0.79     | 1.8                           | 0.8                         | 5.5                  | 13                 | 529  | 2690        |
| YL4501-8  | 315         | 40.6               | 740         | 93.4     | 0.80     | 1.8                           | 0.8                         | 5.5                  | 16                 | 588  | 3300        |
| YL4502-8  | 355         | 45.7               | 740         | 93.5     | 0.80     | 1.8                           | 0.8                         | 5.5                  | 17                 | 656  | 3380        |
| YL4503-8  | 400         | 51.3               | 740         | 93.7     | 0.80     | 1.8                           | 0.8                         | 5.5                  | 18                 | 731  | 3500        |
| YL4504-8  | 450         | 57.0               | 740         | 93.8     | 0.81     | 1.8                           | 0.8                         | 5.5                  | 19                 | 813  | 3610        |
| YL5001-8  | 500         | 63.0               | 740         | 94.3     | 0.81     | 1.8                           | 0.8                         | 5.5                  | 30                 | 894  | 4080        |
| YL5002-8  | 560         | 69.6               | 740         | 94.4     | 0.82     | 1.8                           | 0.8                         | 5.5                  | 34                 | 989  | 4320        |
| YL5003-8  | 630         | 78.2               | 740         | 94.5     | 0.82     | 1.8                           | 0.8                         | 5.5                  | 38                 | 1099 | 4490        |
| YL5004-8  | 710         | 88.1               | 740         | 94.6     | 0.82     | 1.8                           | 0.8                         | 5.5                  | 42                 | 1222 | 4750        |
| YL5601-8  | 800         | 96.8               | 740         | 94.7     | 0.84     | 1.8                           | 0.7                         | 6                    | 87                 | 1357 | 6110        |
| YL5602-8  | 900         | 108.8              | 740         | 94.8     | 0.84     | 1.8                           | 0.7                         | 6                    | 92                 | 1505 | 6300        |
| YL5603-8  | 1000        | 120.7              | 740         | 94.9     | 0.84     | 1.8                           | 0.7                         | 6                    | 102                | 1650 | 6590        |
| YL6301-8  | 1120        | 135.1              | 740         | 95.0     | 0.84     | 1.8                           | 0.7                         | 6                    | 137                | 1820 | 8530        |
| YL6302-8  | 1250        | 150.6              | 740         | 95.1     | 0.84     | 1.8                           | 0.7                         | 6                    | 151                | 2001 | 8790        |
| YL6303-8  | 1400        | 168.5              | 740         | 95.2     | 0.84     | 1.8                           | 0.7                         | 6                    | 160                | 2204 | 9120        |
| YL6304-8  | 1600        | 192.3              | 740         | 95.3     | 0.84     | 1.8                           | 0.7                         | 6                    | 168                | 2468 | 9320        |
| YL4501-10 | 220         | 29.9               | 590         | 92.1     | 0.77     | 1.8                           | 0.8                         | 5.5                  | 19                 | 729  | 3120        |
| YL4502-10 | 250         | 33.4               | 590         | 92.3     | 0.78     | 1.8                           | 0.8                         | 5.5                  | 20                 | 820  | 3200        |
| YL4503-10 | 280         | 37.3               | 590         | 92.5     | 0.78     | 1.8                           | 0.8                         | 5.5                  | 22                 | 910  | 3290        |
| YL4504-10 | 315         | 41.4               | 590         | 92.6     | 0.79     | 1.8                           | 0.8                         | 5.5                  | 24                 | 1014 | 3390        |
| YL4505-10 | 355         | 46.6               | 590         | 92.8     | 0.79     | 1.8                           | 0.8                         | 5.5                  | 25                 | 1131 | 3490        |
| YL5001-10 | 400         | 51.6               | 590         | 93.3     | 0.80     | 1.8                           | 0.8                         | 5.5                  | 36                 | 1261 | 4030        |
| YL5002-10 | 450         | 58.0               | 590         | 93.4     | 0.80     | 1.8                           | 0.8                         | 5.5                  | 38                 | 1404 | 4130        |
| YL5003-10 | 500         | 64.3               | 590         | 93.6     | 0.80     | 1.8                           | 0.8                         | 5.5                  | 42                 | 1544 | 4270        |
| YL5004-10 | 560         | 71.9               | 590         | 93.7     | 0.80     | 1.8                           | 0.8                         | 5.5                  | 45                 | 1711 | 4410        |
| YL5005-10 | 630         | 80.8               | 590         | 93.8     | 0.80     | 1.8                           | 0.8                         | 5.5                  | 52                 | 1902 | 4730        |
| YL5601-10 | 710         | 88.6               | 590         | 94.0     | 0.82     | 1.8                           | 0.7                         | 6                    | 79                 | 2116 | 6040        |
| YL5602-10 | 800         | 99.7               | 590         | 94.2     | 0.82     | 1.8                           | 0.7                         | 6                    | 88                 | 2355 | 6210        |
| YL5603-10 | 900         | 112.0              | 590         | 94.3     | 0.82     | 1.8                           | 0.7                         | 6                    | 93                 | 2615 | 6370        |



YL medium size, motor technical data (6kV)

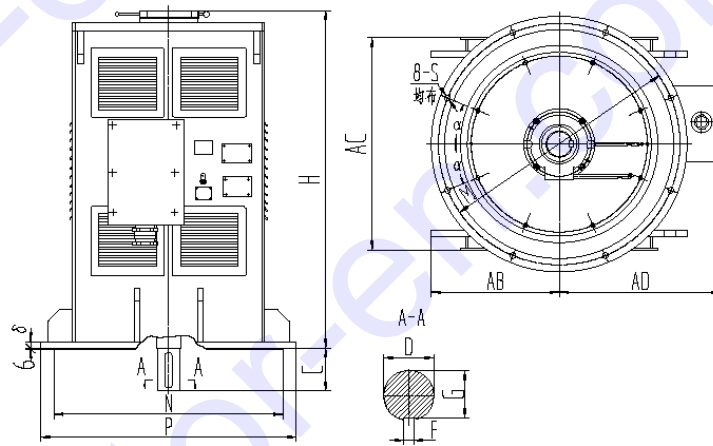
| Type      | Output<br>(kW) | Stator<br>current<br>(A) | RPM<br>(r/min) | Eff.<br>(%) | P.F<br>CosΦ | Tm<br>Tn | Tst<br>Tn | Ist<br>In | Rotational inertia               |                                | Weight<br>(kg) |
|-----------|----------------|--------------------------|----------------|-------------|-------------|----------|-----------|-----------|----------------------------------|--------------------------------|----------------|
|           |                |                          |                |             |             |          |           |           | Motor Jm<br>(kg.m <sup>2</sup> ) | Load J<br>(kg.m <sup>2</sup> ) |                |
| YL6301-10 | 1000           | 124.3                    | 590            | 94.4        | 0.82        | 1.8      | 0.7       | 6         | 140                              | 2870                           | 8130           |
| YL6302-10 | 1120           | 138.9                    | 590            | 94.6        | 0.82        | 1.8      | 0.7       | 6         | 152                              | 3170                           | 8420           |
| YL6303-10 | 1250           | 154.7                    | 590            | 94.8        | 0.82        | 1.8      | 0.7       | 6         | 167                              | 3489                           | 8730           |
| YL6304-10 | 1400           | 173.1                    | 590            | 94.9        | 0.82        | 1.8      | 0.7       | 6         | 175                              | 3850                           | 8930           |
| YL4504-12 | 220            | 31.7                     | 490            | 91.4        | 0.73        | 1.8      | 0.8       | 5.5       | 24                               | 1135                           | 3380           |
| YL4505-12 | 250            | 35.9                     | 490            | 91.7        | 0.73        | 1.8      | 0.8       | 5.5       | 26                               | 1277                           | 3490           |
| YL5001-12 | 280            | 39.3                     | 490            | 92.7        | 0.74        | 1.8      | 0.8       | 5.5       | 40                               | 1418                           | 4050           |
| YL5002-12 | 315            | 43.6                     | 490            | 92.8        | 0.75        | 1.8      | 0.8       | 5.5       | 42                               | 1580                           | 4140           |
| YL5003-12 | 355            | 49.0                     | 490            | 93.0        | 0.75        | 1.8      | 0.8       | 5.5       | 43                               | 1764                           | 4180           |
| YL5004-12 | 400            | 55.0                     | 490            | 93.3        | 0.75        | 1.8      | 0.8       | 5.5       | 47                               | 1967                           | 4330           |
| YL5005-12 | 450            | 61.8                     | 490            | 93.4        | 0.75        | 1.8      | 0.8       | 5.5       | 50                               | 2191                           | 4490           |
| YL5601-12 | 500            | 65.0                     | 490            | 93.7        | 0.79        | 1.8      | 0.7       | 6         | 103                              | 2411                           | 5860           |
| YL5632-12 | 560            | 72.7                     | 490            | 93.8        | 0.79        | 1.8      | 0.7       | 6         | 114                              | 2673                           | 6050           |
| YL5603-12 | 630            | 81.7                     | 490            | 93.9        | 0.79        | 1.8      | 0.7       | 6         | 127                              | 2974                           | 6250           |
| YL6301-12 | 710            | 92.0                     | 490            | 94.0        | 0.79        | 1.8      | 0.7       | 6         | 191                              | 3312                           | 7920           |
| YL6302-12 | 800            | 103.4                    | 490            | 94.2        | 0.79        | 1.8      | 0.7       | 6         | 208                              | 3688                           | 8210           |
| YL6303-12 | 900            | 116.3                    | 490            | 94.3        | 0.79        | 1.8      | 0.7       | 6         | 227                              | 4098                           | 8520           |
| YL6304-12 | 1000           | 129.0                    | 490            | 94.4        | 0.79        | 1.8      | 0.7       | 6         | 239                              | 4502                           | 8710           |

**Note:** These property data shown in table which in correspondence with these guaranteed values are shown in the additive table.

Dimensions

mm

YL(6kV) medium size motor overall and mounting dimensions figure (no load thrust)



| F<br>R<br>A<br>M<br>E | P<br>O<br>L<br>E | Mounting dimensions and tolerances |      |      |    |       |    |   |                                     |                                    |     | Boundary dimensions |      |     |      |
|-----------------------|------------------|------------------------------------|------|------|----|-------|----|---|-------------------------------------|------------------------------------|-----|---------------------|------|-----|------|
|                       |                  | mm                                 |      |      |    |       |    |   |                                     |                                    |     | mm                  |      |     |      |
|                       |                  | N                                  | P    | M    | δ  | α     | S  | D   | F                                   | G                                  | C   | AB                  | AC   | AD  | H    |
| 355                   | 4~6              | 880 ± 0.025                        | 1000 | 940  | 25 | 22.5° | 28 | 100 <sup>+0.035</sup> / <sub>+0.013</sub> | 28 <sup>0</sup> / <sub>-0.052</sub> | 90 <sup>0</sup> / <sub>-0.2</sub>  | 210 | 510                 | 790  | 750 | 1640 |
| 400                   | 4~8              | 1000 ± 0.028                       | 1150 | 1080 | 25 | 22.5° | 28 | 110 <sup>+0.035</sup> / <sub>+0.013</sub> | 28 <sup>0</sup> / <sub>-0.052</sub> | 100 <sup>0</sup> / <sub>-0.2</sub> | 210 | 560                 | 860  | 790 | 1740 |
| 450                   | 4                | 1120 ± 0.033                       | 1250 | 1180 | 29 | 22.5° | 28 | 120 <sup>+0.035</sup> / <sub>+0.013</sub> | 32 <sup>0</sup> / <sub>-0.062</sub> | 109 <sup>0</sup> / <sub>-0.2</sub> | 210 | 610                 | 960  | 840 | 1970 |
|                       | 6~12             | 1120 ± 0.033                       | 1250 | 1180 | 29 | 22.5° | 28 | 130 <sup>+0.040</sup> / <sub>+0.015</sub> | 32 <sup>0</sup> / <sub>-0.062</sub> | 119 <sup>0</sup> / <sub>-0.2</sub> | 250 | 610                 | 960  | 840 | 1970 |
| 500                   | 4                | 1250 ± 0.033                       | 1400 | 1320 | 34 | 22.5° | 28 | 130 <sup>+0.040</sup> / <sub>+0.015</sub> | 32 <sup>0</sup> / <sub>-0.062</sub> | 119 <sup>0</sup> / <sub>-0.2</sub> | 250 | 660                 | 1060 | 890 | 2160 |
|                       | 6~12             | 1250 ± 0.033                       | 1400 | 1320 | 34 | 22.5° | 28 | 140 <sup>+0.040</sup> / <sub>+0.015</sub> | 36 <sup>0</sup> / <sub>-0.062</sub> | 128 <sup>0</sup> / <sub>-0.3</sub> | 250 | 660                 | 1060 | 890 | 2160 |
| 560                   | 4                | 1400 ± 0.039                       | 1600 | 1500 | 39 | 22.5° | 35 | 150 <sup>+0.040</sup> / <sub>+0.015</sub> | 36 <sup>0</sup> / <sub>-0.062</sub> | 138 <sup>0</sup> / <sub>-0.3</sub> | 250 | 710                 | 1160 | 940 | 2400 |
|                       | 6~12             | 1400 ± 0.039                       | 1600 | 1500 | 39 | 22.5° | 35 | 160 <sup>+0.040</sup> / <sub>+0.015</sub> | 40 <sup>0</sup> / <sub>-0.062</sub> | 147 <sup>0</sup> / <sub>-0.3</sub> | 300 | 710                 | 1160 | 940 | 2400 |
| 630                   | 4                | 1600 ± 0.039                       | 1800 | 1700 | 39 | 22.5° | 35 | 170 <sup>+0.040</sup> / <sub>+0.015</sub> | 40 <sup>0</sup> / <sub>-0.062</sub> | 157 <sup>0</sup> / <sub>-0.3</sub> | 300 | 760                 | 1260 | 990 | 2650 |
|                       | 6~12             | 1600 ± 0.039                       | 1800 | 1700 | 39 | 22.5° | 35 | 180 <sup>+0.040</sup> / <sub>+0.015</sub> | 45 <sup>0</sup> / <sub>-0.062</sub> | 165 <sup>0</sup> / <sub>-0.3</sub> | 300 | 760                 | 1260 | 990 | 2650 |

YLKK medium size ,motor technical data (6kV)

| Type       | Output (kW) | Stator current (A) | RPM (r/min) | Eff. (%) | P.F CosΦ | Tm<br>Tn | Tst<br>Tn | lst<br>In | Rotational inertia            |                             | Weight (kg) |
|------------|-------------|--------------------|-------------|----------|----------|----------|-----------|-----------|-------------------------------|-----------------------------|-------------|
|            |             |                    |             |          |          |          |           |           | Motor Jm (kg.m <sup>2</sup> ) | Load J (kg.m <sup>2</sup> ) |             |
| YLKK3551-4 | 185         | 22.6               | 1490        | 92.8     | 0.85     | 1.8      | 0.7       | 6.5       | 3                             | 78                          | 1980        |
| YLKK3552-4 | 200         | 24.4               | 1490        | 92.9     | 0.85     | 1.8      | 0.7       | 6.5       | 3                             | 78                          | 2010        |
| YLKK3553-4 | 220         | 26.8               | 1490        | 93.0     | 0.85     | 1.8      | 0.7       | 6.5       | 4                             | 88                          | 2050        |
| YLKK3554-4 | 250         | 30.4               | 1490        | 93.1     | 0.85     | 1.8      | 0.7       | 6.5       | 4                             | 97                          | 2090        |
| YLKK4002-4 | 280         | 33.6               | 1490        | 93.2     | 0.86     | 1.8      | 0.7       | 6.5       | 6                             | 108                         | 2630        |
| YLKK4003-4 | 315         | 37.8               | 1490        | 93.3     | 0.86     | 1.8      | 0.7       | 6.5       | 6                             | 120                         | 2690        |
| YLKK4004-4 | 355         | 42.5               | 1490        | 93.5     | 0.86     | 1.8      | 0.7       | 6.5       | 6                             | 133                         | 2760        |
| YLKK4005-4 | 400         | 47.8               | 1490        | 93.7     | 0.86     | 1.8      | 0.7       | 6.5       | 7                             | 147                         | 2880        |
| YLKK4006-4 | 450         | 53.6               | 1490        | 93.9     | 0.86     | 1.8      | 0.7       | 6.5       | 7                             | 161                         | 2970        |
| YLKK4502-4 | 500         | 59.5               | 1490        | 94.0     | 0.86     | 1.8      | 0.7       | 6.5       | 10                            | 178                         | 3670        |
| YLKK4503-4 | 560         | 66.5               | 1490        | 94.2     | 0.86     | 1.8      | 0.7       | 6.5       | 11                            | 197                         | 3750        |
| YLKK4504-4 | 630         | 74.7               | 1490        | 94.4     | 0.86     | 1.8      | 0.7       | 6.5       | 12                            | 218                         | 3870        |
| YLKK4505-4 | 710         | 84.0               | 1490        | 94.6     | 0.86     | 1.8      | 0.7       | 6.5       | 13                            | 241                         | 3990        |
| YLKK5001-4 | 800         | 93.3               | 1490        | 94.8     | 0.87     | 1.8      | 0.7       | 6.5       | 22                            | 266                         | 4780        |
| YLKK5002-4 | 900         | 104.9              | 1490        | 94.9     | 0.87     | 1.8      | 0.7       | 6.5       | 24                            | 290                         | 4920        |
| YLKK5003-4 | 1000        | 116.4              | 1490        | 95.0     | 0.87     | 1.8      | 0.7       | 6.5       | 26                            | 318                         | 5110        |
| YLKK5004-4 | 1120        | 130.3              | 1490        | 95.1     | 0.87     | 1.8      | 0.7       | 6.5       | 30                            | 347                         | 5410        |
| YLKK5601-4 | 1250        | 143.6              | 1490        | 95.2     | 0.88     | 1.8      | 0.6       | 6.5       | 51                            | 379                         | 7070        |
| YLKK5602-4 | 1400        | 160.6              | 1490        | 95.3     | 0.88     | 1.8      | 0.6       | 6.5       | 57                            | 420                         | 7300        |
| YLKK5603-4 | 1600        | 183.4              | 1490        | 95.4     | 0.88     | 1.8      | 0.6       | 6.5       | 60                            | 460                         | 7530        |
| YLKK6301-4 | 1800        | 206.1              | 1490        | 95.5     | 0.88     | 1.8      | 0.6       | 6.5       | 96                            | 498                         | 9750        |
| YLKK6302-4 | 2000        | 228.8              | 1490        | 95.6     | 0.88     | 1.8      | 0.6       | 6.5       | 102                           | 540                         | 10050       |
| YLKK6303-4 | 2240        | 255.9              | 1490        | 95.7     | 0.88     | 1.8      | 0.6       | 6.5       | 112                           | 584                         | 10560       |
| YLKK4001-6 | 185         | 23.5               | 990         | 92.4     | 0.82     | 1.8      | 0.7       | 6         | 8                             | 193                         | 2520        |
| YLKK4002-6 | 200         | 25.3               | 990         | 92.6     | 0.82     | 1.8      | 0.7       | 6         | 9                             | 210                         | 2590        |
| YLKK4003-6 | 220         | 27.8               | 990         | 92.8     | 0.82     | 1.8      | 0.7       | 6         | 9                             | 236                         | 2630        |
| YLKK4004-6 | 250         | 31.5               | 990         | 93.0     | 0.82     | 1.8      | 0.7       | 6         | 10                            | 262                         | 2740        |
| YLKK4005-6 | 280         | 35.2               | 990         | 93.3     | 0.82     | 1.8      | 0.7       | 6         | 11                            | 291                         | 2810        |
| YLKK4006-6 | 315         | 39.5               | 990         | 93.5     | 0.82     | 1.8      | 0.7       | 6         | 11                            | 324                         | 2890        |
| YLKK4502-6 | 355         | 43.9               | 990         | 93.7     | 0.83     | 1.8      | 0.7       | 6         | 14                            | 361                         | 3520        |
| YLKK4503-6 | 400         | 49.4               | 990         | 93.8     | 0.83     | 1.8      | 0.7       | 6         | 15                            | 401                         | 3610        |
| YLKK4504-6 | 450         | 55.4               | 990         | 94.1     | 0.83     | 1.8      | 0.7       | 6         | 16                            | 440                         | 3740        |
| YLKK4505-6 | 500         | 61.5               | 990         | 94.3     | 0.83     | 1.8      | 0.7       | 6         | 17                            | 487                         | 3830        |
| YLKK5001-6 | 560         | 68.0               | 990         | 94.4     | 0.84     | 1.8      | 0.7       | 6         | 27                            | 540                         | 4680        |
| YLKK5002-6 | 630         | 76.4               | 990         | 94.5     | 0.84     | 1.8      | 0.7       | 6         | 32                            | 599                         | 4810        |
| YLKK5003-6 | 710         | 85.8               | 990         | 94.8     | 0.84     | 1.8      | 0.7       | 6         | 34                            | 665                         | 4990        |
| YLKK5004-6 | 800         | 96.6               | 990         | 94.9     | 0.84     | 1.8      | 0.7       | 6         | 40                            | 736                         | 5200        |

### YLKK medium size ,motor technical data (6kV)

| Type        | Output<br>(kW) | Stator<br>current<br>(A) | RPM<br>(r/min) | Eff.<br>(%) | P.F<br>CosΦ | Tm  |     | Tst                              |                                | Ist<br>In | Rotational inertia |  | Weight<br>(kg) |
|-------------|----------------|--------------------------|----------------|-------------|-------------|-----|-----|----------------------------------|--------------------------------|-----------|--------------------|--|----------------|
|             |                |                          |                |             |             | Tn  | Tn  | Motor Jm<br>(kg.m <sup>2</sup> ) | Load J<br>(kg.m <sup>2</sup> ) |           |                    |  |                |
| YLKK5601-6  | 900            | 107.3                    | 990            | 95.0        | 0.85        | 1.8 | 0.7 | 6.5                              | 64                             | 805       | 6920               |  |                |
| YLKK5602-6  | 1000           | 119.0                    | 990            | 95.1        | 0.85        | 1.8 | 0.7 | 6.5                              | 70                             | 886       | 7150               |  |                |
| YLKK5603-6  | 1120           | 133.2                    | 990            | 95.2        | 0.85        | 1.8 | 0.7 | 6.5                              | 75                             | 927       | 7450               |  |                |
| YLKK6301-6  | 1250           | 146.8                    | 990            | 95.3        | 0.86        | 1.8 | 0.7 | 6.5                              | 139                            | 1068      | 9660               |  |                |
| YLKK6302-6  | 1400           | 164.2                    | 990            | 95.4        | 0.86        | 1.8 | 0.7 | 6.5                              | 147                            | 1192      | 9880               |  |                |
| YLKK6303-6  | 1600           | 187.5                    | 990            | 95.5        | 0.86        | 1.8 | 0.7 | 6.5                              | 162                            | 1312      | 10530              |  |                |
| YLKK4004-8  | 185            | 24.7                     | 740            | 92.5        | 0.78        | 1.8 | 0.8 | 5.5                              | 11                             | 406       | 2840               |  |                |
| YLKK4005-8  | 200            | 26.6                     | 740            | 92.7        | 0.78        | 1.8 | 0.8 | 5.5                              | 12                             | 450       | 2910               |  |                |
| YLKK4006-8  | 220            | 29.2                     | 740            | 92.9        | 0.78        | 1.8 | 0.8 | 5.5                              | 13                             | 502       | 3040               |  |                |
| YLKK4502-8  | 250            | 32.7                     | 740            | 93.0        | 0.79        | 1.8 | 0.8 | 5.5                              | 16                             | 558       | 3790               |  |                |
| YLKK4503-8  | 280            | 36.6                     | 740            | 93.2        | 0.79        | 1.8 | 0.8 | 5.5                              | 17                             | 622       | 3910               |  |                |
| YLKK4504-8  | 315            | 41.1                     | 740            | 93.4        | 0.79        | 1.8 | 0.8 | 5.5                              | 18                             | 693       | 4030               |  |                |
| YLKK4505-8  | 355            | 46.2                     | 740            | 93.5        | 0.79        | 1.8 | 0.8 | 5.5                              | 19                             | 772       | 4150               |  |                |
| YLKK5001-8  | 400            | 51.3                     | 740            | 93.7        | 0.80        | 1.8 | 0.8 | 5.5                              | 30                             | 853       | 4710               |  |                |
| YLKK5002-8  | 450            | 57.7                     | 740            | 93.8        | 0.80        | 1.8 | 0.8 | 5.5                              | 34                             | 941       | 5000               |  |                |
| YLKK5003-8  | 500            | 63.8                     | 740            | 94.2        | 0.80        | 1.8 | 0.8 | 5.5                              | 38                             | 1044      | 5150               |  |                |
| YLKK5004-8  | 560            | 71.4                     | 740            | 94.4        | 0.80        | 1.8 | 0.8 | 5.5                              | 42                             | 1160      | 5420               |  |                |
| YLKK5601-8  | 630            | 78.2                     | 740            | 94.5        | 0.82        | 1.8 | 0.7 | 6                                | 79                             | 1221      | 6780               |  |                |
| YLKK5602-8  | 710            | 88.1                     | 740            | 94.6        | 0.82        | 1.8 | 0.7 | 6                                | 87                             | 1357      | 6960               |  |                |
| YLKK5603-8  | 800            | 99.1                     | 740            | 94.7        | 0.82        | 1.8 | 0.7 | 6                                | 92                             | 1505      | 7150               |  |                |
| YLKK6301-8  | 900            | 108.8                    | 740            | 94.8        | 0.84        | 1.8 | 0.7 | 6                                | 129                            | 1650      | 9350               |  |                |
| YLKK6302-8  | 1000           | 120.7                    | 740            | 94.9        | 0.84        | 1.8 | 0.7 | 6                                | 137                            | 1820      | 9620               |  |                |
| YLKK6303-8  | 1120           | 135.1                    | 740            | 95.0        | 0.84        | 1.8 | 0.7 | 6                                | 151                            | 2001      | 9880               |  |                |
| YLKK6304-8  | 1250           | 150.6                    | 740            | 95.1        | 0.84        | 1.8 | 0.7 | 6                                | 160                            | 2204      | 10210              |  |                |
| YLKK4501-10 | 185            | 25.9                     | 590            | 91.7        | 0.75        | 1.8 | 0.8 | 5.5                              | 19                             | 698       | 3600               |  |                |
| YLKK4502-10 | 200            | 27.9                     | 590            | 91.9        | 0.75        | 1.8 | 0.8 | 5.5                              | 20                             | 775       | 3690               |  |                |
| YLKK4503-10 | 220            | 30.6                     | 590            | 92.1        | 0.75        | 1.8 | 0.8 | 5.5                              | 22                             | 865       | 3780               |  |                |
| YLKK4504-10 | 250            | 34.8                     | 590            | 92.3        | 0.75        | 1.8 | 0.8 | 5.5                              | 24                             | 962       | 3920               |  |                |
| YLKK4505-10 | 280            | 38.8                     | 590            | 92.5        | 0.75        | 1.8 | 0.8 | 5.5                              | 26                             | 1072      | 4130               |  |                |
| YLKK5001-10 | 315            | 43.0                     | 590            | 92.8        | 0.76        | 1.8 | 0.8 | 5.5                              | 36                             | 1196      | 4660               |  |                |
| YLKK5002-10 | 355            | 48.3                     | 590            | 93.0        | 0.76        | 1.8 | 0.8 | 5.5                              | 38                             | 1332      | 4760               |  |                |
| YLKK5003-10 | 400            | 54.3                     | 590            | 93.3        | 0.76        | 1.8 | 0.8 | 5.5                              | 42                             | 1474      | 4940               |  |                |
| YLKK5004-10 | 450            | 61.0                     | 590            | 93.4        | 0.76        | 1.8 | 0.8 | 5.5                              | 45                             | 1627      | 5080               |  |                |
| YLKK5601-10 | 500            | 65.9                     | 590            | 93.6        | 0.78        | 1.8 | 0.7 | 6                                | 67                             | 1710      | 6530               |  |                |
| YLKK5602-10 | 560            | 73.7                     | 590            | 93.7        | 0.78        | 1.8 | 0.7 | 6                                | 74                             | 1902      | 6710               |  |                |
| YLKK5603-10 | 630            | 82.9                     | 590            | 93.8        | 0.78        | 1.8 | 0.7 | 6                                | 79                             | 2116      | 6890               |  |                |
| YLKK5604-10 | 710            | 93.2                     | 590            | 94.0        | 0.78        | 1.8 | 0.7 | 6                                | 88                             | 2355      | 7060               |  |                |

### YLKK medium size ,motor technical data (6kV)

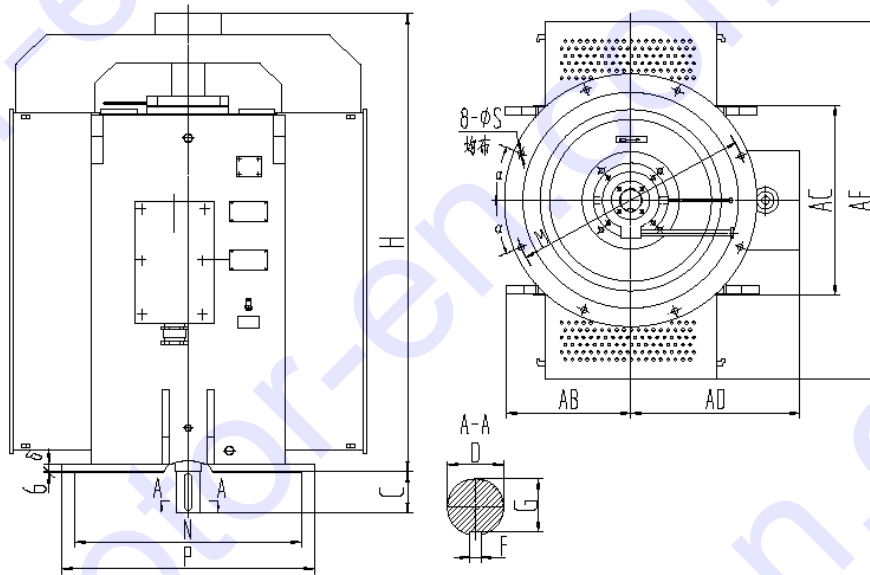
| Type        | Output<br>(kW) | Stator<br>current<br>(A) | RPM<br>(r/min) | Eff.<br>(%) | P.F<br>CosΦ | $T_m$ | $T_{st}$ | $I_{st}$ | Rotational inertia          |                          | Weight<br>(kg) |
|-------------|----------------|--------------------------|----------------|-------------|-------------|-------|----------|----------|-----------------------------|--------------------------|----------------|
|             |                |                          |                |             |             | $T_n$ | $T_n$    | $I_n$    | Motor $J_m$<br>( $kg.m^2$ ) | Load $J$<br>( $kg.m^2$ ) |                |
| YLKK6301-10 | 800            | 102.2                    | 590            | 94.2        | 0.80        | 1.8   | 0.7      | 6        | 132                         | 2615                     | 8980           |
| YLKK6302-10 | 900            | 114.8                    | 590            | 94.3        | 0.80        | 1.8   | 0.7      | 6        | 140                         | 2870                     | 9220           |
| YLKK6303-10 | 1000           | 127.4                    | 590            | 94.4        | 0.80        | 1.8   | 0.7      | 6        | 152                         | 3170                     | 9510           |
| YLKK6304-10 | 1120           | 142.4                    | 590            | 94.6        | 0.80        | 1.8   | 0.7      | 6        | 167                         | 3489                     | 9820           |
| YLKK4504-12 | 185            | 27.7                     | 490            | 91.8        | 0.70        | 1.8   | 0.8      | 5.5      | 24                          | 1087                     | 3920           |
| YLKK4505-12 | 200            | 29.9                     | 490            | 92.0        | 0.70        | 1.8   | 0.8      | 5.5      | 26                          | 1206                     | 4010           |
| YLKK5001-12 | 220            | 31.9                     | 490            | 92.2        | 0.72        | 1.8   | 0.8      | 5.5      | 40                          | 1347                     | 4670           |
| YLKK5002-12 | 250            | 36.1                     | 490            | 92.5        | 0.72        | 1.8   | 0.8      | 5.5      | 42                          | 1499                     | 4770           |
| YLKK5003-12 | 280            | 40.4                     | 490            | 92.7        | 0.72        | 1.8   | 0.8      | 5.5      | 43                          | 1672                     | 4850           |
| YLKK5004-12 | 315            | 45.4                     | 490            | 92.8        | 0.72        | 1.8   | 0.8      | 5.5      | 47                          | 1865                     | 4990           |
| YLKK5601-12 | 355            | 49.6                     | 490            | 93.0        | 0.74        | 1.8   | 0.7      | 6        | 87                          | 1967                     | 6290           |
| YLKK5602-12 | 400            | 55.8                     | 490            | 93.3        | 0.74        | 1.8   | 0.7      | 6        | 96                          | 2180                     | 6480           |
| YLKK5603-12 | 450            | 62.7                     | 490            | 93.4        | 0.74        | 1.8   | 0.7      | 6        | 103                         | 2411                     | 6710           |
| YLKK5604-12 | 500            | 69.4                     | 490            | 93.7        | 0.74        | 1.8   | 0.7      | 6        | 114                         | 2673                     | 6900           |
| YLKK6301-12 | 560            | 75.6                     | 490            | 93.8        | 0.76        | 1.8   | 0.7      | 6        | 179                         | 2974                     | 8830           |
| YLKK6302-12 | 630            | 84.9                     | 490            | 93.9        | 0.76        | 1.8   | 0.7      | 6        | 191                         | 3312                     | 9010           |
| YLKK6303-12 | 710            | 95.6                     | 490            | 94.0        | 0.76        | 1.8   | 0.7      | 6        | 208                         | 3688                     | 9300           |
| YLKK6304-12 | 800            | 107.5                    | 490            | 94.2        | 0.76        | 1.8   | 0.7      | 6        | 272                         | 4098                     | 9610           |

Note: These property data shown in table which in correspondence with these guaranteed values are shown in the additive table

# Dimensions

mm

YLKK (6kV)medium size motor overall and mounting dimensions figure (No load thrust)



| F<br>R<br>A<br>M<br>E | P<br>O<br>L<br>E | Mounting dimensions and tolerances |      |      |    |       |    |   |                                     |                                    |     | Boundary dimensions |      |     |      |      |
|-----------------------|------------------|------------------------------------|------|------|----|-------|----|---|-------------------------------------|------------------------------------|-----|---------------------|------|-----|------|------|
|                       |                  | mm                                 |      |      |    |       |    |   |                                     |                                    |     | mm                  |      |     |      |      |
|                       |                  | N                                  | P    | M    | δ  | α     | S  | D   | F                                   | G                                  | C   | AB                  | AC   | AD  | AE   | H    |
| 355                   | 4-6              | 880 ± 0.025                        | 1000 | 940  | 25 | 22.5° | 28 | 100 <sup>+0.035</sup> / <sub>+0.013</sub> | 28 <sup>0</sup> / <sub>-0.052</sub> | 90 <sup>0</sup> / <sub>-0.2</sub>  | 210 | 510                 | 790  | 750 | 1350 | 2050 |
| 400                   | 4-8              | 1000 ± 0.028                       | 1150 | 1080 | 25 | 22.5° | 28 | 110 <sup>+0.035</sup> / <sub>+0.013</sub> | 28 <sup>0</sup> / <sub>-0.062</sub> | 100 <sup>0</sup> / <sub>-0.2</sub> | 210 | 560                 | 860  | 790 | 1650 | 2170 |
| 450                   | 4                | 1120 ± 0.033                       | 1250 | 1180 | 29 | 22.5° | 28 | 120 <sup>+0.035</sup> / <sub>+0.013</sub> | 32 <sup>0</sup> / <sub>-0.062</sub> | 109 <sup>0</sup> / <sub>-0.2</sub> | 210 | 610                 | 960  | 840 | 1860 | 2290 |
|                       | 6-12             | 1120 ± 0.033                       | 1250 | 1180 | 29 | 22.5° | 28 | 130 <sup>+0.040</sup> / <sub>+0.015</sub> | 32 <sup>0</sup> / <sub>-0.062</sub> | 119 <sup>0</sup> / <sub>-0.2</sub> | 250 | 610                 | 960  | 840 | 1860 | 2290 |
| 500                   | 4                | 1250 ± 0.033                       | 1400 | 1320 | 34 | 22.5° | 35 | 130 <sup>+0.040</sup> / <sub>+0.015</sub> | 32 <sup>0</sup> / <sub>-0.062</sub> | 119 <sup>0</sup> / <sub>-0.2</sub> | 250 | 660                 | 1060 | 890 | 2020 | 2400 |
|                       | 6-12             | 1250 ± 0.033                       | 1400 | 1320 | 34 | 22.5° | 35 | 140 <sup>+0.040</sup> / <sub>+0.015</sub> | 36 <sup>0</sup> / <sub>-0.062</sub> | 128 <sup>0</sup> / <sub>-0.3</sub> | 250 | 660                 | 1060 | 890 | 2020 | 2400 |
| 560                   | 4                | 1400 ± 0.039                       | 1600 | 1500 | 39 | 22.5° | 35 | 150 <sup>+0.040</sup> / <sub>+0.015</sub> | 36 <sup>0</sup> / <sub>-0.062</sub> | 138 <sup>0</sup> / <sub>-0.3</sub> | 250 | 710                 | 1160 | 940 | 2200 | 2700 |
|                       | 6-12             | 1400 ± 0.039                       | 1600 | 1500 | 39 | 22.5° | 35 | 160 <sup>+0.040</sup> / <sub>+0.015</sub> | 40 <sup>0</sup> / <sub>-0.062</sub> | 147 <sup>0</sup> / <sub>-0.3</sub> | 300 | 710                 | 1160 | 940 | 2200 | 2700 |
| 630                   | 4                | 1600 ± 0.039                       | 1800 | 1700 | 39 | 22.5° | 35 | 170 <sup>+0.040</sup> / <sub>+0.015</sub> | 40 <sup>0</sup> / <sub>-0.062</sub> | 157 <sup>0</sup> / <sub>-0.3</sub> | 300 | 760                 | 1260 | 990 | 2500 | 2900 |
|                       | 6-12             | 1600 ± 0.039                       | 1800 | 1700 | 39 | 22.5° | 35 | 180 <sup>+0.040</sup> / <sub>+0.015</sub> | 45 <sup>0</sup> / <sub>-0.062</sub> | 165 <sup>0</sup> / <sub>-0.3</sub> | 300 | 760                 | 1260 | 990 | 2500 | 2900 |

### YL series technical data ( 10kV )

| Type)    | Output<br>( kW ) | Stator<br>current<br>( A ) | RPM<br>( r/min ) | Eff.<br>( % ) | P.F<br>CosΦ | $\frac{T_m}{T_n}$ | $\frac{T_{st}}{T_n}$ | $\frac{I_{st}}{I_n}$ | Rotational inertia                |                                 | Weight<br>( kg ) |
|----------|------------------|----------------------------|------------------|---------------|-------------|-------------------|----------------------|----------------------|-----------------------------------|---------------------------------|------------------|
|          |                  |                            |                  |               |             |                   |                      |                      | Motor Jm<br>( kg.m <sup>2</sup> ) | Load J<br>( kg.m <sup>2</sup> ) |                  |
| YL4501-4 | 355              | 25.5                       | 1490             | 93.3          | 0.86        | 1.8               | 0.7                  | 7                    | 12                                | 119                             | 2785             |
| YL4502-4 | 400              | 28.7                       | 1490             | 93.5          | 0.86        | 1.8               | 0.7                  | 7                    | 12.9                              | 132                             | 2865             |
| YL4503-4 | 450              | 32.2                       | 1490             | 93.9          | 0.86        | 1.8               | 0.7                  | 7                    | 12.9                              | 147                             | 2945             |
| YL4504-4 | 500              | 35.7                       | 1490             | 94.0          | 0.86        | 1.8               | 0.7                  | 7                    | 13.8                              | 161                             | 3025             |
| YL4505-4 | 560              | 39.9                       | 1490             | 94.2          | 0.86        | 1.8               | 0.7                  | 7                    | 13.8                              | 178                             | 3105             |
| YL4506-4 | 630              | 44.8                       | 1490             | 94.4          | 0.86        | 1.8               | 0.7                  | 7                    | 14.7                              | 196                             | 3185             |
| YL5001-4 | 710              | 49.6                       | 1490             | 95.0          | 0.87        | 1.8               | 0.7                  | 7                    | 22                                | 217                             | 4100             |
| YL5002-4 | 800              | 55.8                       | 1490             | 95.1          | 0.87        | 1.8               | 0.7                  | 7                    | 23                                | 240                             | 4250             |
| YL5003-4 | 900              | 62.2                       | 1490             | 95.2          | 0.88        | 1.8               | 0.7                  | 7                    | 25                                | 265                             | 4400             |
| YL5004-4 | 1000             | 68.8                       | 1490             | 95.3          | 0.88        | 1.8               | 0.7                  | 7                    | 27                                | 289                             | 4550             |
| YL5005-4 | 1120             | 77.0                       | 1490             | 95.4          | 0.88        | 1.8               | 0.7                  | 7                    | 29                                | 317                             | 4700             |
| YL5601-4 | 1250             | 84.9                       | 1490             | 95.5          | 0.89        | 1.8               | 0.7                  | 7                    | 40                                | 347                             | 8470             |
| YL5602-4 | 1400             | 94.9                       | 1490             | 95.7          | 0.89        | 1.8               | 0.7                  | 7                    | 43                                | 379                             | 8690             |
| YL5603-4 | 1600             | 108.3                      | 1490             | 95.8          | 0.89        | 1.8               | 0.7                  | 7                    | 46                                | 421                             | 8910             |
| YL6301-4 | 1800             | 121.8                      | 1490             | 95.9          | 0.89        | 1.8               | 0.6                  | 7                    | 86                                | 460                             | 8880             |
| YL6302-4 | 2000             | 135.2                      | 1490             | 96.0          | 0.89        | 1.8               | 0.6                  | 7                    | 91                                | 498                             | 9230             |
| YL6303-4 | 2240             | 151.2                      | 1490             | 96.1          | 0.89        | 1.8               | 0.6                  | 7                    | 96                                | 540                             | 9580             |
| YL4503-6 | 315              | 23.9                       | 990              | 92.8          | 0.82        | 1.8               | 0.7                  | 6                    | 14.7                              | 291                             | 3060             |
| YL4504-6 | 355              | 26.5                       | 990              | 93.1          | 0.83        | 1.8               | 0.7                  | 6                    | 15.7                              | 324                             | 3140             |
| YL4505-6 | 400              | 29.8                       | 990              | 93.3          | 0.83        | 1.8               | 0.7                  | 6                    | 17.1                              | 361                             | 3220             |
| YL4506-6 | 450              | 33.5                       | 990              | 93.5          | 0.83        | 1.8               | 0.7                  | 6                    | 18.2                              | 400                             | 3300             |
| YL5001-6 | 500              | 37.0                       | 990              | 93.9          | 0.83        | 1.8               | 0.7                  | 6                    | 23                                | 440                             | 4080             |
| YL5002-6 | 560              | 40.9                       | 990              | 94.1          | 0.84        | 1.8               | 0.7                  | 6                    | 25                                | 486                             | 4220             |
| YL5003-6 | 630              | 45.9                       | 990              | 94.4          | 0.84        | 1.8               | 0.7                  | 6                    | 27                                | 539                             | 4380             |
| YL5004-6 | 710              | 51.6                       | 990              | 94.6          | 0.84        | 1.8               | 0.7                  | 6                    | 29                                | 599                             | 4570             |
| YL5005-6 | 800              | 58.1                       | 990              | 94.7          | 0.84        | 1.8               | 0.7                  | 6                    | 31                                | 664                             | 4760             |
| YL5601-6 | 900              | 64.4                       | 990              | 94.9          | 0.85        | 1.8               | 0.7                  | 6                    | 49                                | 735                             | 5350             |
| YL5602-6 | 1000             | 71.4                       | 990              | 95.1          | 0.85        | 1.8               | 0.7                  | 6                    | 53                                | 805                             | 5520             |
| YL5603-6 | 1120             | 79.8                       | 990              | 95.3          | 0.85        | 1.8               | 0.7                  | 6                    | 56                                | 886                             | 5690             |
| YL5604-6 | 1250             | 88.0                       | 990              | 95.4          | 0.86        | 1.8               | 0.7                  | 6                    | 60                                | 972                             | 5860             |
| YL6301-6 | 1400             | 98.2                       | 990              | 95.7          | 0.86        | 1.8               | 0.6                  | 6                    | 114                               | 1068                            | 8125             |
| YL6302-6 | 1600             | 112.1                      | 990              | 95.8          | 0.86        | 1.8               | 0.6                  | 6                    | 121                               | 1192                            | 8355             |
| YL6303-6 | 1800             | 126.0                      | 990              | 95.9          | 0.86        | 1.8               | 0.6                  | 6                    | 128                               | 1312                            | 8585             |



### YL series technical data ( 10kV )

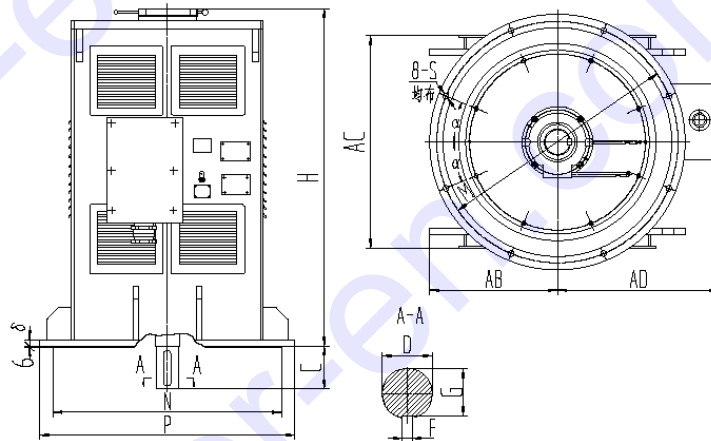
| Type      | Output<br>(kW) | Stator<br>current<br>(A) | RPM<br>(r/min) | Eff.<br>(%) | P.F<br>CosΦ | Tm<br>Tn | Tst<br>Tn | Ist<br>In | Rotational inertia               |                                | Weight<br>(kg) |
|-----------|----------------|--------------------------|----------------|-------------|-------------|----------|-----------|-----------|----------------------------------|--------------------------------|----------------|
|           |                |                          |                |             |             |          |           |           | Motor Jm<br>(kg.m <sup>2</sup> ) | Load J<br>(kg.m <sup>2</sup> ) |                |
| YL5001-8  | 315            | 25.5                     | 740            | 92.8        | 0.77        | 1.8      | 0.7       | 6         | 22                               | 588                            | 3650           |
| YL5002-8  | 355            | 28.6                     | 740            | 93.1        | 0.77        | 1.8      | 0.7       | 6         | 24                               | 656                            | 3700           |
| YL5003-8  | 400            | 31.8                     | 740            | 93.2        | 0.78        | 1.8      | 0.7       | 6         | 26                               | 730                            | 3820           |
| YL5004-8  | 450            | 35.7                     | 740            | 93.4        | 0.78        | 1.8      | 0.7       | 6         | 28                               | 812                            | 3970           |
| YL5005-8  | 500            | 39.0                     | 740            | 93.8        | 0.79        | 1.8      | 0.7       | 6         | 30                               | 893                            | 4110           |
| YL5006-8  | 560            | 43.6                     | 740            | 93.9        | 0.79        | 1.8      | 0.7       | 6         | 32                               | 989                            | 4250           |
| YL5601-8  | 630            | 47.0                     | 740            | 94.4        | 0.82        | 1.8      | 0.7       | 6         | 56                               | 1098                           | 5340           |
| YL5602-8  | 710            | 52.8                     | 740            | 94.6        | 0.82        | 1.8      | 0.7       | 6         | 60                               | 1221                           | 5510           |
| YL5603-8  | 800            | 59.5                     | 740            | 94.7        | 0.82        | 1.8      | 0.7       | 6         | 63                               | 1357                           | 5680           |
| YL5604-8  | 900            | 66.8                     | 740            | 94.8        | 0.82        | 1.8      | 0.7       | 6         | 67                               | 1505                           | 5850           |
| YL6301-8  | 1000           | 73.2                     | 740            | 95.0        | 0.83        | 1.8      | 0.7       | 6         | 141                              | 1650                           | 8415           |
| YL6302-8  | 1120           | 81.8                     | 740            | 95.2        | 0.83        | 1.8      | 0.7       | 6         | 149                              | 1820                           | 8535           |
| YL6303-8  | 1250           | 91.2                     | 740            | 95.3        | 0.83        | 1.8      | 0.7       | 6         | 157                              | 2001                           | 8655           |
| YL5003-10 | 280            | 23.6                     | 590            | 92.4        | 0.74        | 1.8      | 0.7       | 5.5       | 28                               | 910                            | 4250           |
| YL5004-10 | 315            | 26.5                     | 590            | 92.6        | 0.74        | 1.8      | 0.7       | 5.5       | 30                               | 1014                           | 4310           |
| YL5005-10 | 355            | 29.4                     | 590            | 92.8        | 0.75        | 1.8      | 0.7       | 5.5       | 32                               | 1131                           | 4380           |
| YL5006-10 | 400            | 33.1                     | 590            | 93.0        | 0.75        | 1.8      | 0.7       | 5.5       | 32                               | 1261                           | 4530           |
| YL5601-10 | 450            | 36.2                     | 590            | 93.2        | 0.77        | 1.8      | 0.7       | 6         | 75                               | 1403                           | 5250           |
| YL5602-10 | 500            | 40.1                     | 590            | 93.4        | 0.77        | 1.8      | 0.7       | 6         | 80                               | 1544                           | 5510           |
| YL5603-10 | 560            | 44.3                     | 590            | 93.5        | 0.78        | 1.8      | 0.7       | 6         | 84                               | 1710                           | 5660           |
| YL5604-10 | 630            | 49.8                     | 590            | 93.7        | 0.78        | 1.8      | 0.7       | 6         | 89                               | 1902                           | 5800           |
| YL5605-10 | 710            | 56.0                     | 590            | 93.9        | 0.78        | 1.8      | 0.7       | 6         | 94                               | 2117                           | 5950           |
| YL6301-10 | 800            | 61.2                     | 590            | 94.3        | 0.80        | 1.8      | 0.7       | 6         | 144                              | 2355                           | 8235           |
| YL6302-10 | 900            | 68.7                     | 590            | 94.5        | 0.80        | 1.8      | 0.7       | 6         | 153                              | 2614                           | 8465           |
| YL6303-10 | 1000           | 76.3                     | 590            | 94.6        | 0.80        | 1.8      | 0.7       | 6         | 161                              | 2870                           | 8665           |
| YL6304-10 | 1120           | 85.4                     | 590            | 94.7        | 0.80        | 1.8      | 0.7       | 6         | 169                              | 3170                           | 8865           |
| YL5601-12 | 315            | 27.0                     | 490            | 92.3        | 0.73        | 1.8      | 0.7       | 6         | 73                               | 1580                           | 5250           |
| YL5602-12 | 355            | 30.4                     | 490            | 92.5        | 0.73        | 1.8      | 0.7       | 6         | 77                               | 1763                           | 5370           |
| YL5603-12 | 400            | 34.1                     | 490            | 92.7        | 0.73        | 1.8      | 0.7       | 6         | 82                               | 1967                           | 5510           |
| YL5604-12 | 450            | 38.3                     | 490            | 92.9        | 0.73        | 1.8      | 0.7       | 6         | 87                               | 2190                           | 5650           |
| YL5605-12 | 500            | 42.4                     | 490            | 93.2        | 0.73        | 1.8      | 0.7       | 6         | 92                               | 2411                           | 5790           |
| YL6301-12 | 560            | 46.7                     | 490            | 93.5        | 0.74        | 1.8      | 0.7       | 6         | 119                              | 2672                           | 8420           |
| YL6302-12 | 630            | 52.5                     | 490            | 93.7        | 0.74        | 1.8      | 0.7       | 6         | 136                              | 2974                           | 8520           |
| YL6303-12 | 710            | 59.0                     | 490            | 93.9        | 0.74        | 1.8      | 0.7       | 6         | 152                              | 3313                           | 8820           |
| YL6304-12 | 800            | 66.3                     | 490            | 94.3        | 0.74        | 1.8      | 0.7       | 6         | 160                              | 3688                           | 9020           |

**Note:** These property data shown in table which in correspondence with these guaranteed values are shown in the additive table.

## Dimensions

mm

**YL(10kV ) medium size motor overall and mounting dimensions figure (No load thrust)**



| F<br>R<br>A<br>M<br>E | P<br>O<br>L<br>E | Mounting dimensions and tolerances |      |      |    |       |    |   |                                     |                                    |     | Boundary dimensions |      |      |      |
|-----------------------|------------------|------------------------------------|------|------|----|-------|----|---|-------------------------------------|------------------------------------|-----|---------------------|------|------|------|
|                       |                  | mm                                 |      |      |    |       |    |   |                                     |                                    |     | mm                  |      |      |      |
|                       |                  | N                                  | P    | M    | δ  | α     | S  | D   | F                                   | G                                  | C   | AB                  | AC   | AD   | H    |
| 450                   | 4~6              | 1120 ± 0.033                       | 1250 | 1180 | 29 | 22.5° | 28 | 110 <sup>+0.040</sup> / <sub>+0.015</sub> | 28 <sup>0</sup> / <sub>-0.062</sub> | 100 <sup>0</sup> / <sub>-0.2</sub> | 210 | 610                 | 960  | 1040 | 1970 |
| 500                   | 4                | 1250 ± 0.033                       | 1400 | 1320 | 29 | 22.5° | 35 | 120 <sup>+0.040</sup> / <sub>+0.015</sub> | 32 <sup>0</sup> / <sub>-0.062</sub> | 109 <sup>0</sup> / <sub>-0.2</sub> | 210 | 660                 | 1060 | 1090 | 2160 |
|                       | 6~10             | 1250 ± 0.033                       | 1400 | 1320 | 29 | 22.5° | 35 | 130 <sup>+0.040</sup> / <sub>+0.015</sub> | 32 <sup>0</sup> / <sub>-0.062</sub> | 119 <sup>0</sup> / <sub>-0.3</sub> | 250 | 660                 | 1060 | 1090 | 2160 |
| 560                   | 4                | 1400 ± 0.039                       | 1600 | 1500 | 34 | 22.5° | 35 | 150 <sup>+0.040</sup> / <sub>+0.015</sub> | 36 <sup>0</sup> / <sub>-0.062</sub> | 138 <sup>0</sup> / <sub>-0.3</sub> | 250 | 710                 | 1160 | 1140 | 2400 |
|                       | 6~12             | 1400 ± 0.039                       | 1600 | 1500 | 34 | 22.5° | 35 | 150 <sup>+0.040</sup> / <sub>+0.015</sub> | 36 <sup>0</sup> / <sub>-0.062</sub> | 138 <sup>0</sup> / <sub>-0.3</sub> | 300 | 710                 | 1160 | 1140 | 2400 |
| 630                   | 4                | 1400 ± 0.039                       | 1600 | 1400 | 34 | 22.5° | 35 | 170 <sup>+0.040</sup> / <sub>+0.015</sub> | 40 <sup>0</sup> / <sub>-0.062</sub> | 157 <sup>0</sup> / <sub>-0.3</sub> | 300 | 760                 | 1260 | 1190 | 2650 |
|                       | 6~12             | 1400 ± 0.039                       | 1600 | 1400 | 34 | 22.5° | 35 | 180 <sup>+0.040</sup> / <sub>+0.015</sub> | 45 <sup>0</sup> / <sub>-0.062</sub> | 165 <sup>0</sup> / <sub>-0.3</sub> | 300 | 760                 | 1260 | 1190 | 2650 |

## YLKK series technical data (10kV)

| Type       | Output<br>(kW) | Stator<br>current<br>(A) | RPM<br>(r/min) | Eff.<br>(%) | P.F<br>CosΦ | $\frac{T_m}{T_n}$ | $\frac{T_{st}}{T_n}$ | $\frac{I_{st}}{I_n}$ | Rotational inertia               |                                | Weight<br>(kg) |
|------------|----------------|--------------------------|----------------|-------------|-------------|-------------------|----------------------|----------------------|----------------------------------|--------------------------------|----------------|
|            |                |                          |                |             |             |                   |                      |                      | Motor Jm<br>(kg.m <sup>2</sup> ) | Load J<br>(kg.m <sup>2</sup> ) |                |
| YLKK4501-4 | 250            | 17.8                     | 1490           | 92.1        | 0.88        | 1.8               | 0.7                  | 7                    | 11.4                             | 78.0                           | 4000           |
| YLKK4502-4 | 280            | 19.9                     | 1490           | 92.3        | 0.88        | 1.8               | 0.7                  | 7                    | 12.6                             | 87.0                           | 4060           |
| YLKK4503-4 | 315            | 22.3                     | 1490           | 92.5        | 0.88        | 1.8               | 0.7                  | 7                    | 13.1                             | 97.0                           | 4160           |
| YLKK4504-4 | 355            | 25.1                     | 1490           | 92.9        | 0.88        | 1.8               | 0.7                  | 7                    | 13.5                             | 107                            | 4190           |
| YLKK4505-4 | 400            | 28.2                     | 1490           | 93.0        | 0.88        | 1.8               | 0.7                  | 7                    | 14.0                             | 119                            | 4500           |
| YLKK4506-4 | 450            | 31.7                     | 1490           | 93.2        | 0.88        | 1.8               | 0.7                  | 7                    | 14.4                             | 132                            | 4600           |
| YLKK4507-4 | 500            | 35.1                     | 1490           | 93.4        | 0.88        | 1.8               | 0.7                  | 7                    | 15.3                             | 147                            | 4790           |
| YLKK4508-4 | 560            | 38.6                     | 1490           | 94.0        | 0.89        | 1.8               | 0.7                  | 7                    | 16.0                             | 165                            | 4900           |
| YLKK5002-4 | 560            | 38.6                     | 1490           | 94.0        | 0.89        | 1.8               | 0.7                  | 7                    | 25.0                             | 165                            | 6060           |
| YLKK5003-4 | 630            | 43.4                     | 1490           | 94.1        | 0.89        | 1.8               | 0.7                  | 7                    | 26.0                             | 182                            | 6250           |
| YLKK5004-4 | 710            | 48.9                     | 1490           | 94.2        | 0.89        | 1.8               | 0.7                  | 7                    | 28.0                             | 201                            | 6430           |
| YLKK5005-4 | 800            | 55.0                     | 1490           | 94.3        | 0.89        | 1.8               | 0.7                  | 7                    | 30.0                             | 220                            | 6460           |
| YLKK5006-4 | 900            | 61.8                     | 1490           | 94.4        | 0.89        | 1.8               | 0.7                  | 7                    | 32.0                             | 242                            | 6560           |
| YLKK5603-4 | 1000           | 67.9                     | 1490           | 94.5        | 0.9         | 1.8               | 0.7                  | 7                    | 44.0                             | 270                            | 8300           |
| YLKK5604-4 | 1120           | 75.9                     | 1490           | 94.7        | 0.9         | 1.8               | 0.7                  | 7                    | 47.0                             | 292                            | 8550           |
| YLKK5605-4 | 1250           | 84.6                     | 1490           | 94.8        | 0.9         | 1.8               | 0.7                  | 7                    | 50.0                             | 320                            | 8800           |
| YLKK6302-4 | 1400           | 94.6                     | 1490           | 94.9        | 0.9         | 1.8               | 0.6                  | 7                    | 90.0                             | 350                            | 10500          |
| YLKK6303-4 | 1600           | 108.0                    | 1490           | 95.0        | 0.9         | 1.8               | 0.6                  | 7                    | 95.0                             | 382                            | 10900          |
| YLKK6304-4 | 1800           | 121.4                    | 1490           | 95.1        | 0.9         | 1.8               | 0.6                  | 7                    | 101.0                            | 423                            | 11000          |
| YLKK4503-6 | 220            | 16.5                     | 990            | 91.8        | 0.84        | 1.8               | 0.7                  | 6                    | 15.5                             | 210                            | 4250           |
| YLKK4504-6 | 250            | 18.7                     | 990            | 92.0        | 0.84        | 1.8               | 0.7                  | 6                    | 16.3                             | 235                            | 4390           |
| YLKK4505-6 | 280            | 20.9                     | 990            | 92.2        | 0.84        | 1.8               | 0.7                  | 6                    | 17.4                             | 260                            | 4510           |
| YLKK4506-6 | 315            | 23.5                     | 990            | 92.3        | 0.84        | 1.8               | 0.7                  | 6                    | 18.4                             | 290                            | 4720           |
| YLKK4507-6 | 355            | 26.4                     | 990            | 92.5        | 0.84        | 1.8               | 0.7                  | 6                    | 19.5                             | 320                            | 4860           |
| YLKK4508-6 | 400            | 29.6                     | 990            | 92.9        | 0.84        | 1.8               | 0.7                  | 6                    | 22.0                             | 350                            | 5060           |
| YLKK5002-6 | 400            | 29.6                     | 990            | 92.9        | 0.84        | 1.8               | 0.7                  | 6                    | 27.0                             | 362                            | 5760           |
| YLKK5003-6 | 450            | 32.8                     | 990            | 93.1        | 0.85        | 1.8               | 0.7                  | 6                    | 29.0                             | 400                            | 5840           |
| YLKK5004-6 | 500            | 36.4                     | 990            | 93.4        | 0.85        | 1.8               | 0.7                  | 6                    | 31.0                             | 446                            | 6100           |
| YLKK5005-6 | 560            | 40.6                     | 990            | 93.6        | 0.85        | 1.8               | 0.7                  | 6                    | 33.0                             | 485                            | 6280           |
| YLKK5006-6 | 630            | 45.6                     | 990            | 93.9        | 0.85        | 1.8               | 0.7                  | 6                    | 35.0                             | 525                            | 6510           |
| YLKK5602-6 | 710            | 50.7                     | 990            | 94.0        | 0.86        | 1.8               | 0.7                  | 6                    | 50.0                             | 540                            | 8000           |
| YLKK5603-6 | 800            | 57.0                     | 990            | 94.2        | 0.86        | 1.8               | 0.7                  | 6                    | 60.0                             | 599                            | 8350           |
| YLKK5604-6 | 900            | 64.1                     | 990            | 94.3        | 0.86        | 1.8               | 0.7                  | 6                    | 63.0                             | 665                            | 8600           |
| YLKK5605-6 | 1000           | 71.1                     | 990            | 94.4        | 0.86        | 1.8               | 0.7                  | 6                    | 67.0                             | 736                            | 8800           |
| YLKK6302-6 | 1120           | 79.4                     | 990            | 94.7        | 0.86        | 1.8               | 0.6                  | 6                    | 121.0                            | 805                            | 11350          |
| YLKK6303-6 | 1250           | 88.5                     | 990            | 94.8        | 0.86        | 1.8               | 0.6                  | 6                    | 128.0                            | 886                            | 11750          |
| YLKK6304-6 | 1400           | 99.0                     | 990            | 94.9        | 0.86        | 1.8               | 0.6                  | 6                    | 135.0                            | 970                            | 12100          |

## YLKK series technical data (10kV)

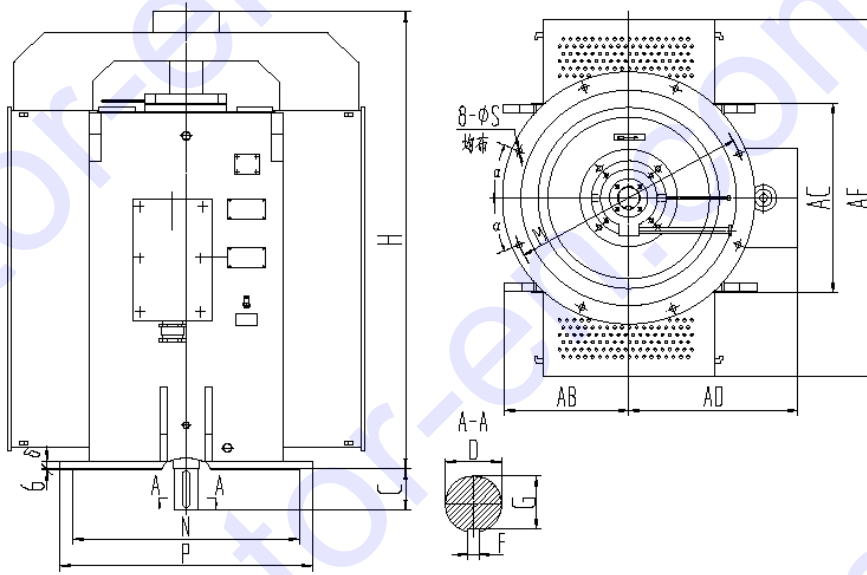
| Type        | Output (kW) | Stator current (A) | RPM (r/min) | Eff. (%) | P.F CosΦ | $\frac{Tm}{Tn}$ | $\frac{Tst}{Tn}$ | $\frac{Ist}{In}$ | Rotational inertia            |                             | Weight (kg) |
|-------------|-------------|--------------------|-------------|----------|----------|-----------------|------------------|------------------|-------------------------------|-----------------------------|-------------|
|             |             |                    |             |          |          |                 |                  |                  | Motor Jm (kg.m <sup>2</sup> ) | Load J (kg.m <sup>2</sup> ) |             |
| YLKK5001-8  | 250         | 18.9               | 740         | 91.8     | 0.83     | 1.8             | 0.7              | 6                | 28.0                          | 423                         | 5680        |
| YLKK5002-8  | 280         | 21.1               | 740         | 92.2     | 0.83     | 1.8             | 0.7              | 6                | 30.0                          | 476                         | 5740        |
| YLKK5003-8  | 315         | 23.7               | 740         | 92.3     | 0.83     | 1.8             | 0.7              | 6                | 32.0                          | 530                         | 6060        |
| YLKK5004-8  | 355         | 26.7               | 740         | 92.6     | 0.83     | 1.8             | 0.7              | 6                | 34.0                          | 588                         | 6100        |
| YLKK5005-8  | 400         | 30.0               | 740         | 92.8     | 0.83     | 1.8             | 0.7              | 6                | 36.0                          | 656                         | 6160        |
| YLKK5006-8  | 450         | 33.6               | 740         | 93.1     | 0.83     | 1.8             | 0.7              | 6                | 38.0                          | 730                         | 6220        |
| YLKK5602-8  | 500         | 37.2               | 740         | 93.4     | 0.83     | 1.8             | 0.7              | 6                | 63.0                          | 810                         | 8350        |
| YLKK5603-8  | 560         | 41.6               | 740         | 93.6     | 0.83     | 1.8             | 0.7              | 6                | 67.0                          | 890                         | 8600        |
| YLKK5604-8  | 630         | 46.8               | 740         | 93.7     | 0.83     | 1.8             | 0.7              | 6                | 70.0                          | 988                         | 8800        |
| YLKK5605-8  | 710         | 52.7               | 740         | 93.8     | 0.83     | 1.8             | 0.7              | 6                | 74.0                          | 1098                        | 9000        |
| YLKK6302-8  | 800         | 59.2               | 740         | 94.0     | 0.83     | 1.8             | 0.7              | 6                | 145.0                         | 1221                        | 11000       |
| YLKK6303-8  | 900         | 66.5               | 740         | 94.2     | 0.83     | 1.8             | 0.7              | 6                | 151.0                         | 1357                        | 11400       |
| YLKK6304-8  | 1000        | 73.8               | 740         | 94.3     | 0.83     | 1.8             | 0.7              | 6                | 166.0                         | 1505                        | 11800       |
| YLKK5003-10 | 220         | 18.8               | 590         | 91.5     | 0.74     | 1.8             | 0.7              | 5.5              | 38.0                          | 698                         | 5980        |
| YLKK5004-10 | 250         | 21.3               | 590         | 91.7     | 0.74     | 1.8             | 0.7              | 5.5              | 39.3                          | 775                         | 6160        |
| YLKK5005-10 | 280         | 23.8               | 590         | 91.9     | 0.74     | 1.8             | 0.7              | 5.5              | 40.0                          | 865                         | 6330        |
| YLKK5006-10 | 315         | 26.6               | 590         | 92.3     | 0.74     | 1.8             | 0.7              | 5.5              | 42.0                          | 965                         | 6520        |
| YLKK5601-10 | 355         | 27.0               | 590         | 92.5     | 0.82     | 1.8             | 0.7              | 6                | 78.0                          | 1015                        | 7850        |
| YLKK5602-10 | 400         | 30.4               | 590         | 92.7     | 0.82     | 1.8             | 0.7              | 6                | 83.0                          | 1131                        | 8000        |
| YLKK5603-10 | 450         | 34.1               | 590         | 92.8     | 0.82     | 1.8             | 0.7              | 6                | 87.0                          | 1261                        | 8350        |
| YLKK5604-10 | 500         | 37.9               | 590         | 92.9     | 0.82     | 1.8             | 0.7              | 6                | 92.0                          | 1403                        | 8600        |
| YLKK5605-10 | 560         | 42.4               | 590         | 93.0     | 0.82     | 1.8             | 0.7              | 6                | 97.0                          | 1545                        | 8800        |
| YLKK6301-10 | 630         | 47.5               | 590         | 93.3     | 0.82     | 1.8             | 0.7              | 6                | 153.0                         | 1710                        | 11200       |
| YLKK6302-10 | 710         | 53.5               | 590         | 93.5     | 0.82     | 1.8             | 0.7              | 6                | 162.0                         | 1902                        | 11600       |
| YLKK6303-10 | 800         | 60.2               | 590         | 93.6     | 0.82     | 1.8             | 0.7              | 6                | 169.0                         | 2116                        | 12000       |
| YLKK6304-10 | 900         | 67.6               | 590         | 93.7     | 0.82     | 1.8             | 0.7              | 6                | 178.0                         | 2355                        | 12400       |
| YLKK5601-12 | 250         | 20.7               | 490         | 91.7     | 0.76     | 1.8             | 0.7              | 6                | 88.0                          | 1135                        | 7850        |
| YLKK5602-12 | 280         | 23.2               | 490         | 91.8     | 0.76     | 1.8             | 0.7              | 6                | 97.0                          | 1210                        | 8000        |
| YLKK5603-12 | 315         | 26.0               | 490         | 91.9     | 0.76     | 1.8             | 0.7              | 6                | 100.0                         | 1418                        | 8350        |
| YLKK5604-12 | 355         | 29.3               | 490         | 92.0     | 0.76     | 1.8             | 0.7              | 6                | 108.0                         | 1580                        | 8600        |
| YLKK5605-12 | 400         | 33.0               | 490         | 92.2     | 0.76     | 1.8             | 0.7              | 6                | 115.0                         | 1763                        | 8800        |
| YLKK6301-12 | 450         | 37.0               | 490         | 92.5     | 0.76     | 1.8             | 0.7              | 6                | 139.0                         | 1967                        | 11200       |
| YLKK6302-12 | 500         | 41.0               | 490         | 92.7     | 0.76     | 1.8             | 0.7              | 6                | 156.0                         | 2190                        | 11600       |
| YLKK6303-12 | 560         | 45.8               | 490         | 92.9     | 0.76     | 1.8             | 0.7              | 6                | 172.0                         | 2411                        | 12000       |
| YLKK6304-12 | 630         | 51.3               | 490         | 93.3     | 0.76     | 1.8             | 0.7              | 6                | 180.0                         | 2672                        | 12400       |

**Note :** These property data shown in table which in correspondence with these guaranteed values are shown in the additive table.

# Dimensions

mm

YLKK(10kV) medium size motor overall and mounting dimensions figure (No load thrust)



| FRAME | POLE | Mounting dimensions and tolerances<br>mm |      |      |          |          |    |                         |                 |                |     | Boundary dimensions<br>mm |      |      |      |      |
|-------|------|--|------|------|----------|----------|----|-------------------------|-----------------|----------------|-----|---------------------------|------|------|------|------|
|       |      | N  | P    | M    | $\delta$ | $\alpha$ | S  | D                       | F               | G              | C   | AB                        | AC   | AD   | AE   | H    |
| 450   | 4-6  | $1120 \pm 0.033$                         | 1250 | 1180 | 29       | $22.5^0$ | 28 | $110^{+0.040}_{+0.015}$ | $28^0_{-0.062}$ | $100^0_{-0.2}$ | 210 | 610                       | 960  | 1040 | 1860 | 2290 |
| 500   | 4    | $1250 \pm 0.033$                         | 1400 | 1320 | 29       | $22.5^0$ | 28 | $120^{+0.040}_{+0.015}$ | $32^0_{-0.062}$ | $109^0_{-0.2}$ | 210 | 660                       | 1060 | 1090 | 2020 | 2400 |
|       | 6-10 | $1250 \pm 0.033$                         | 1400 | 1320 | 29       | $22.5^0$ | 28 | $130^{+0.040}_{+0.015}$ | $32^0_{-0.062}$ | $119^0_{-0.3}$ | 250 | 660                       | 1060 | 1090 | 2020 | 2400 |
| 560   | 4    | $1400 \pm 0.039$                         | 1600 | 1500 | 34       | $22.5^0$ | 35 | $150^{+0.040}_{+0.015}$ | $36^0_{-0.062}$ | $138^0_{-0.3}$ | 250 | 710                       | 1160 | 1140 | 2200 | 2700 |
|       | 6-12 | $1400 \pm 0.039$                         | 1600 | 1500 | 34       | $22.5^0$ | 35 | $160^{+0.040}_{+0.015}$ | $40^0_{-0.062}$ | $147^0_{-0.3}$ | 300 | 710                       | 1160 | 1140 | 2200 | 2700 |
| 630   | 4    | $1600 \pm 0.039$                         | 1800 | 1700 | 34       | $22.5^0$ | 35 | $170^{+0.040}_{+0.015}$ | $40^0_{-0.062}$ | $157^0_{-0.3}$ | 300 | 760                       | 1260 | 1190 | 2500 | 2900 |
|       | 6-12 | $1600 \pm 0.039$                         | 1800 | 1700 | 34       | $22.5^0$ | 35 | $180^{+0.040}_{+0.015}$ | $45^0_{-0.062}$ | $165^0_{-0.3}$ | 300 | 760                       | 1260 | 1190 | 2500 | 2900 |